

BS+ – Dry construction installation system for subsequent planking

burda
Sanitärtechnik



BS+

for installation in a stud wall
or as an individual element in a front-wall installation

- The elements consist of 48 mm wide profiles so they can be perfectly fitted in a size 50 plasterboard stud wall.
- By their generous profile width, the firecheck construction panels can be easily aligned flush and fitted with a comfortable distance from the edge - that provides additional safety, saves time and prevents chipping of material.
- Fitting the panels without pre-drilling
- Sound insulation integrated as standard (all plastic parts in red)
- Element feet can be pulled out 280 mm as standard
- High corrosion protection with Sendzimir galvanised elements
- 4 point mounting
- All common standards are met (e.g. DIN 4109, etc.)

All toilets
compatible with Duravit Sensowash®

Geberit flush-mounted cisterns
Compatible with Geberit AquaClean

BS+

Dry construction installation system for subsequent planking



WC element



WC element 82.5



WC element
80 mm height adjustable
after tiling



Barrier-free toilet
with wooden plate right
for folding support handles



Barrier-free toilet
with wooden plate right
for folding support handles



Element for
wall spout bassin
Keramag Espital

BS+

The BS+ installation range is the universally applicable, industrially prefabricated element system for stud wall and front wall installation.

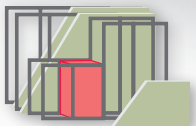
This extensive range includes elements for toilets, urinals, bidets and wash-stands, as well as the appropriate elements for barrier-free construction.

Prefabricated elements are also available for special applications such as surface-mounted wash-stands with wall fittings, water meters or urinal electronic systems.

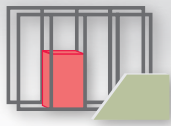
With all units the fitter is free to choose between cisterns from various brand manufacturers and decide for himself what type of pre-fitted connection should be supplied with the element.

Advantages

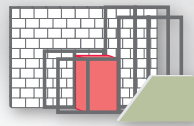
- More stability through stronger profiles
- Low noise through complete sound-insulation
- Exact fit for drywall profile, as the BS + Plus profile is 48 mm wide.



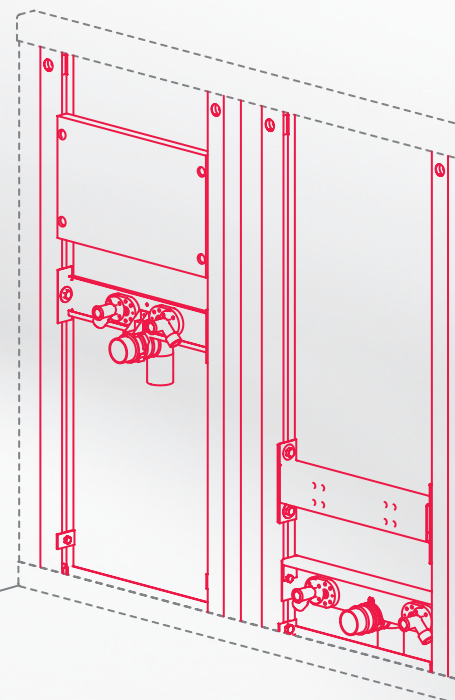
In front of stud wall



In stud wall



In front of solid wall



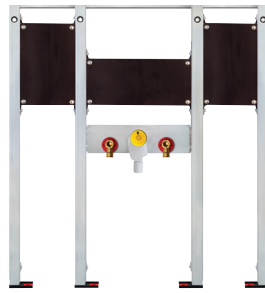
**MANY GERMAN
CISTERNBRANDS
AVAILABLE**



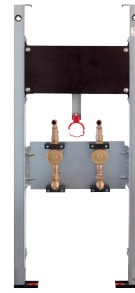
Bidet element



Barrier-free WT



Barrier-free WT
Wooden plate right



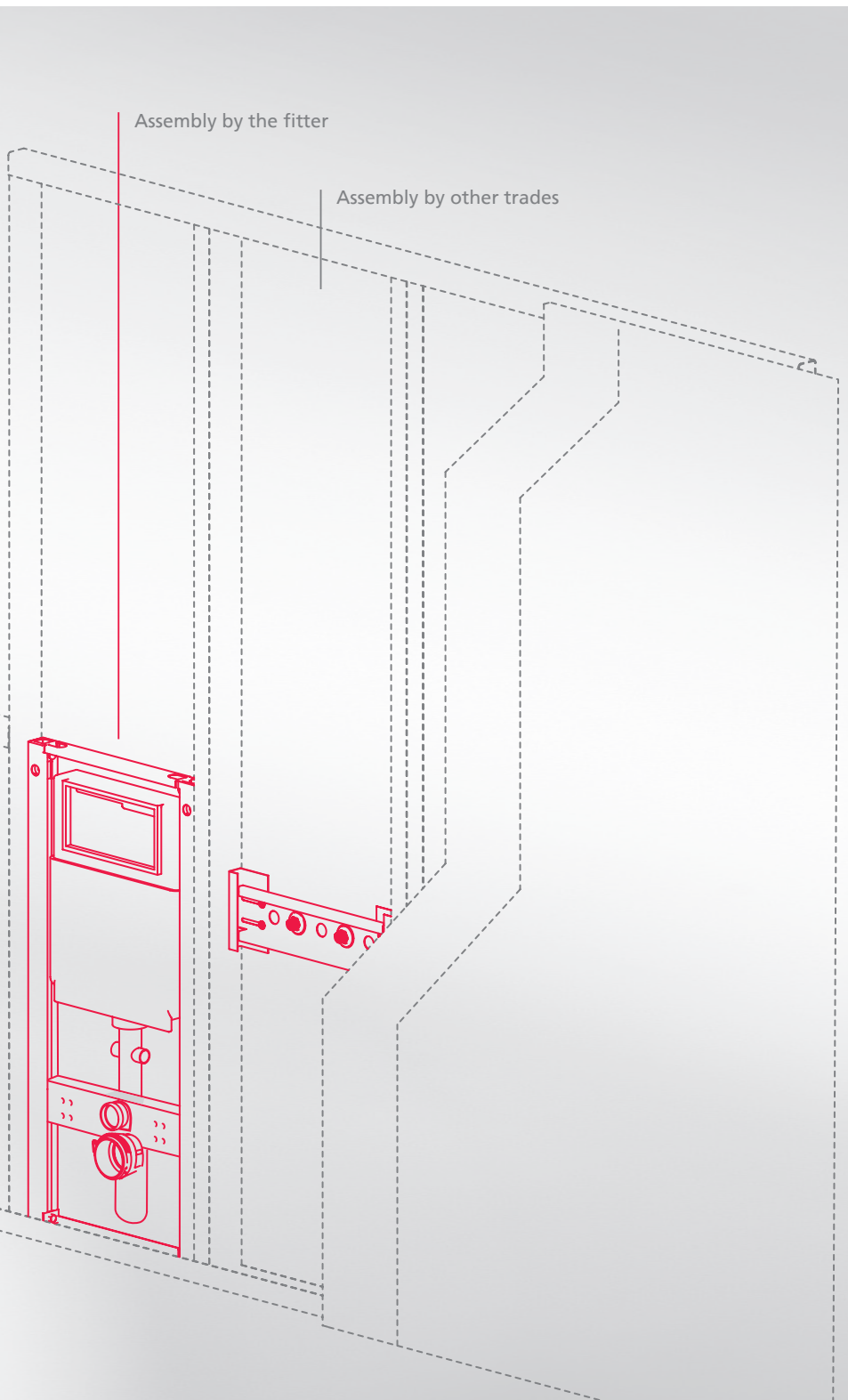
WT-Element
for water meter





Surface-mounted
fitting element





Furniture element



- 

For subsequent
planking
- 

Sound insulation
DIN 4109
- 

Choice of
connections
- 

Material turnover
- 

DVGW standard

BSI

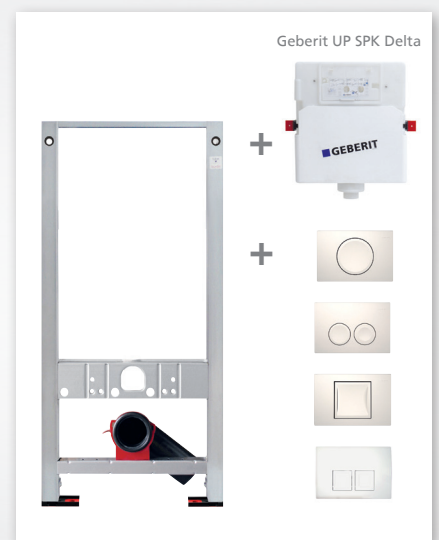
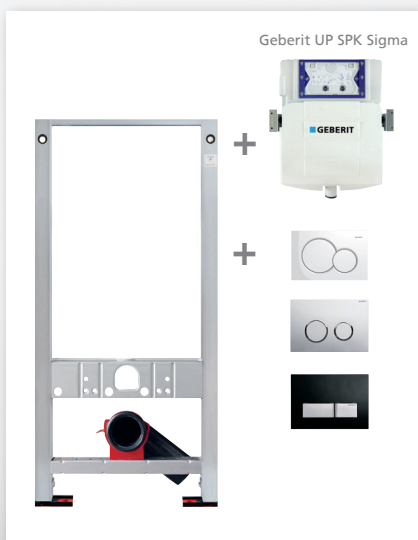
Dry construction installation system for subsequent planking

Diversity is our strength

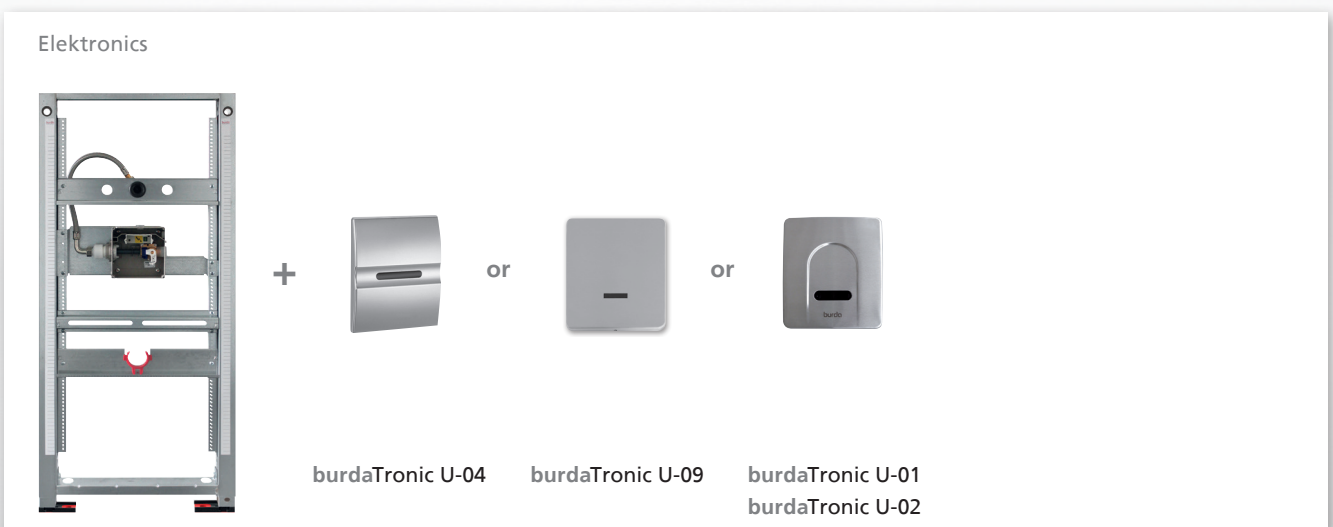
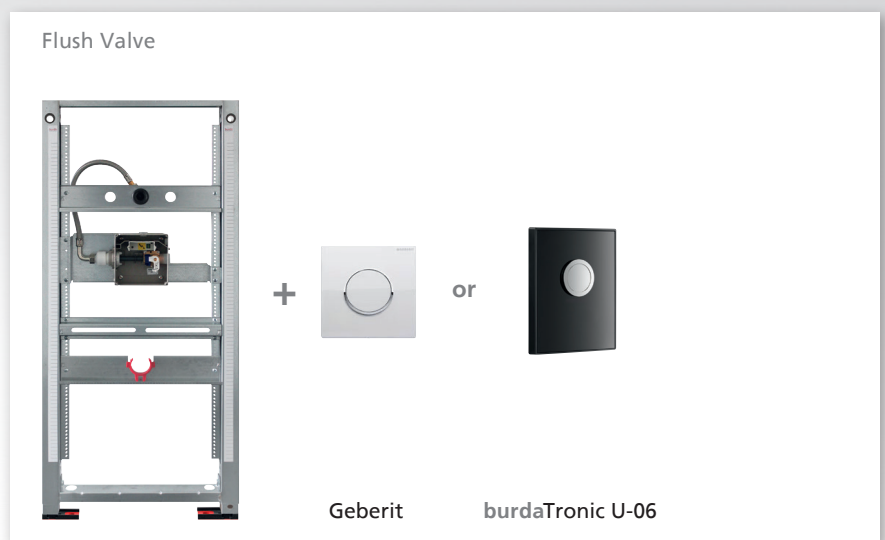
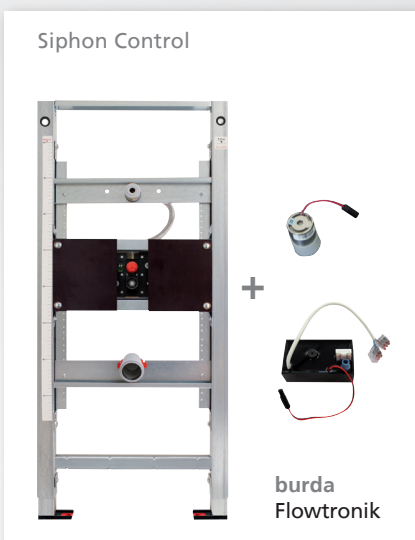
The wide range of accessories offers endless combination options

Different cisterns of renowned German brands allow the mounting of the most varied flush buttons. The best adapted solutions can be found for urinals for every requirement, both in the public or private sector.

Some examples of possible combinations for toilet



Some examples of possible combinations for urinal

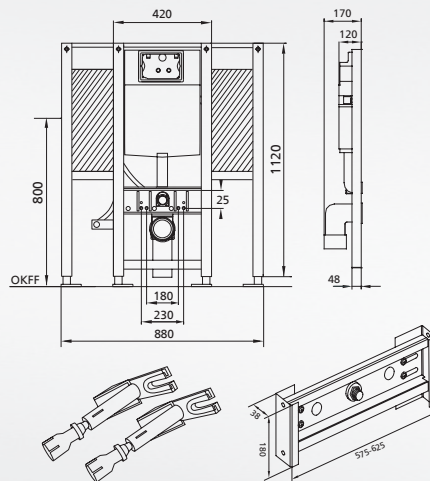


Barrier-free solutions for secure bathrooms

All requirements can be more than met by the BS+ system

In recent years the issue of accessibility has been moved increasingly into focus by the demographic trend. Not only people with disabilities but also senior citizens do not want to give up a safe, comfortable bathroom. The standards and clearances for installation in public and private premises listed below facilitate the planning.

The barrier-free toilet



Advantages

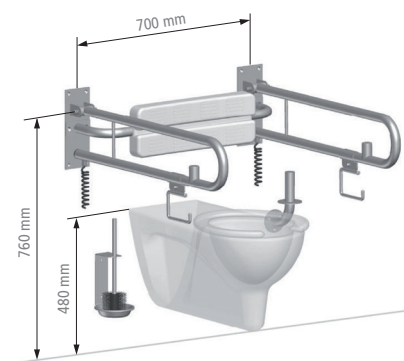
An already completely prefabricated element

Meets all standards for barrier-free living

Meets the noise standard 4109 (SSTIII)
Comfort sound insulation

Variable choice of several cisterns, for example, Geberit, Grohe DAL...

Standards and clearances: WC



Mounting height
Top edge of seat

WC depth
Distance from leading edge/Wall

Movement surface
Front of the toilet

Lateral movement area
Next to the toilet

Lateral gap
From the toilet to the wall

Folding handles
- Mounting height
- Mounting distance
- Cistern trigger
- With paper roll holder

Back rest

DIN 18040 Public

DIN 18040 Private

DIN 18040 Private

48 cm

48 cm

individual

70 cm

70 cm

individual

Width x Depth
150 x 150 cm

Width x Depth
150 x 150 cm

Width x Depth
120 x 120 cm

Both sides 95 cm

At least 30 cm

Individual

At least 95 cm

At least 30 cm

Individual

Both sides
76 cm
70 cm
Both sides
Both sides

Individual
Individual
Individual
Individual
Individual

Individual
Individual
Individual
Individual
Individual

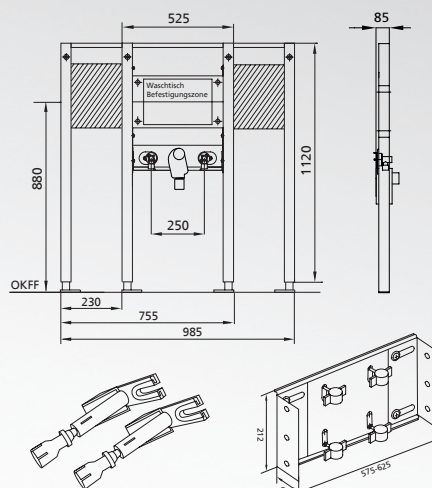
55 cm
Behind front edge of WC

Individual

Individual

* DIN 18040-1 This standard does not apply to hospitals

The barrier-free wash-stand



Advantages

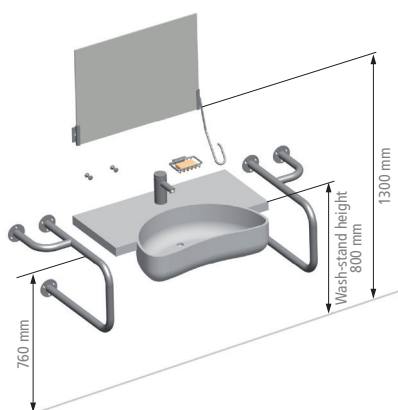
An already completely prefabricated element

Meets all standards for barrier-free living

Meets the noise standard 4109 (SSTIII)
Comfort sound insulation

Optionally available for single-hole/ or wall mixer, and various flush-mounted elements according to specification

Standards and clearances: Wash-stand



Mounting height
Top edge wash-stand

Movement surface
Front of the wash-stand

Lateral gap
From the wash-stand to the wall

Contactless single handle
Fitting with scald protection

Wheelchair access

Soap dispenser
Lateral retrieval height

Flat wall-mounted
or flush-mounted siphon

Mirror

	DIN 18040 Public	DIN 18040 Private	DIN 18040 Private
Mounting height Top edge wash-stand	80 cm	individual	individual
Movement surface Front of the wash-stand	Width x Depth 150 x 150 cm	Width x Depth 150 x 150 cm	Width x Depth 120 x 120 cm
Lateral gap From the wash-stand to the wall	At least 20 cm (preferably 30 cm)	At least 20 cm (preferably 30 cm)	At least 20 cm (preferably 30 cm)
Contactless single handle Fitting with scald protection	Required	Required	individual
Wheelchair access	Knee clearance depth of 30 cm And height of 67 cm	Knee clearance depth of 30 cm And height of 67 cm	Knee clearance depth of 30 cm And height of 67 cm
Soap dispenser Lateral retrieval height	85 - 100 cm	individual	individual
Flat wall-mounted or flush-mounted siphon	Required	Required	Required
Mirror	usable while sitting + standing Bottom edge of adjustable mirror 130 cm or continuous	individual	individual

* DIN 18040-1 This standard does not apply to hospitals

BS+

Dry construction installation system for subsequent planking

Noise regulation

BS+ covers the requirements of DIN 4109 and shows above-average values

Inadequate sound protection leads to a deterioration in the quality of home life. Your customers have a right to insist that the sound insulation standards are adhered to while redesigning the sanitation facility.

Sound-insulated with premium wall bracket for pre-wall mounting

Optional

Sound-insulated premium wall bracket for pre-wall mounting



Sound-insulated plastic inserts for the inclusion of the PE-HD elbow connector

Sound-insulated, pull-out Plastic feet

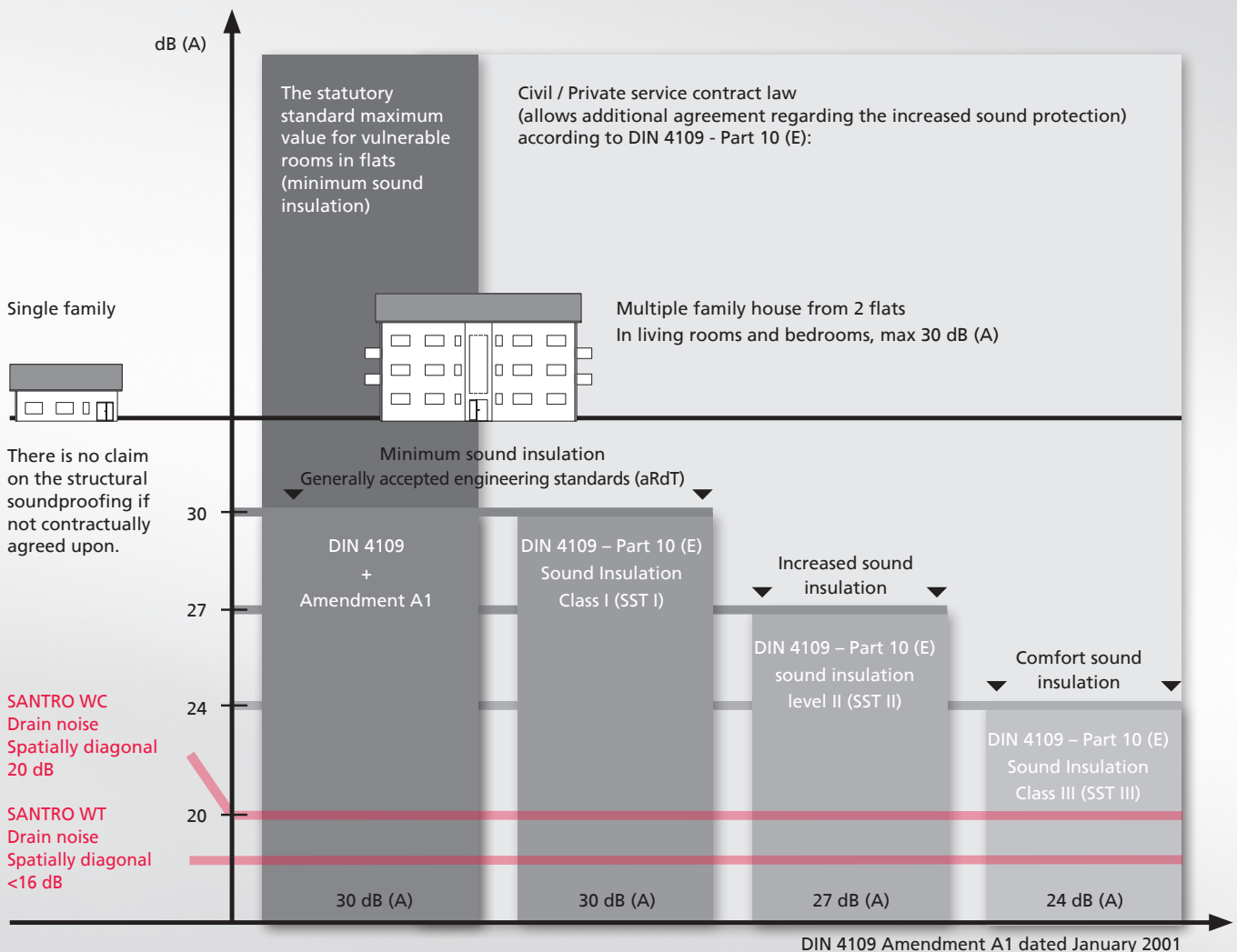


Sound insulation on BS+ elements

With burda sound-insulated premium wall bracket for pre-wall mounting, the best sound insulation values are achieved with the incorporation of BS+ elements.



Sound insulation DIN 4109



BS +

Dry construction installation system for subsequent planking

With BS + Plus you are well advised in all areas

The application areas are diverse, whether for schools and kindergartens, hospitals, nursing homes and retirement homes or correctional facilities, the suitable products are available in our assortment.

In addition, the range is completed by specially made custom articles.

Example Elements for schools and kindergartens



Example Elements for hospitals, nursing homes and retirement homes



Example Elements for correctional facilities



Some examples Special structural elements





burda
Sanitärtechnik

Herbert Burda GmbH
Krefelder Straße 87
40549 Düsseldorf

Tel. +49 211 95001-0
Fax. +49 211 500575

www.burda-online.com