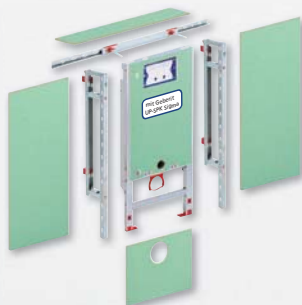


COMPETENCE OVERVIEW

QUALITY
made in Germany



Burda sanitary technology from Düsseldorf

burda develops high-performance, intelligent products and systems for bathrooms and sanitary facilities - focused on dry construction. Systems for assembly elements are: Santro, BS+ and Kombiset.

Additional systems:

The floor-level shower elements Planopor and Planoline, Flowtronik sanitary electronics and the built-in furniture series cuccoo. All systems are known for their high quality and innovation standards. As a partner of the trade, burda sells exclusively via the 3-tier sales channel.

burda meets the demands of users and end users for long-lasting, sophisticated technology plus cost-saving, reliable processing with high design flexibility and modern design requirements.

With innovative ideas burda has succeeded in establishing itself on the market as a problem solver with individual and practicable solutions. Millions of proven assemblies give you the security and us the certainty that we are on the right track.



History

- 1964** **Foundation of Herbert Burda GmbH, Düsseldorf**
Until today headquarter of the family-owned company.
- 1968** **Market launch of the first wall-mounted WCs**
Series production of WC support frames.
- 1978** **Market launch of the „Kombiset“ product group**
Part of the product portfolio to this day.
- 1988** **Development of the first dry construction element with finished planking „Santro 2000“.**
Unique selling point on the market to this day!
Basic idea: The installer should deliver a finished bathroom with innovative and efficient products - without other craftsmen (bricklayers, plasterers, drywallers, etc.). Only the tiler follows.
- 1991** **Market launch of the product group „BS+“.**
Lightweight construction elements: WC, WT, urinal
Continuous improvement processes on the elements. Today the 3rd generation of this product group is manufactured.
- 2004** **Market launch of the company's own sanitary electronics for WC/WT/UR (Flowtronik)**
- 2005** **Floor level shower systems**
Plano-X elements from burda are waterproof coated shower systems made of expanded/ extruded polystyrene rigid foam.
- 2007** **Takeover of the pre-wall business with the elements M-Tec and Meroblock from Uponor.**
- 2011** **Represented at OXOMI**
OXOMI is the powerful solution for the communication of product and marketing information. OXOMI networks associations, trade, industry and crafts.
- 2013** **Represented at www.ausschreiben.de**
- 2014** **Market launch of the electrically adjustable Elements M-Blockcare WC and WTmove**
from 2014 partner and annual exhibitor of ReHaCare fair Düsseldorf.

references see: <http://www.burda-online.com/english/references.html>

Item no. Directory

	item no.
BS+ WC mounting unit with flush-mounted cistern K770	211140.00
BS+ WC mounting unit with flush-mounted cistern Sigma	211088.00
BS+ Assembly unit for barrier-free WC facilities with flush-mounted cistern Sigma (mounting right + left)	211600.00
BS+ Assembly unit for barrier-free WC facilities with flush-mounted cistern Sigma (mounting right)	211606.00
BS+ Assembly unit for barrier-free WC facilities with flush-mounted cistern Sigma (mounting left)	211666.00
BS+ Assembly unit for barrier-free WC facilities with flush-mounted cistern Sigma (8 cm height adjustable after tiling)	211090.00
BS+ WC support brackets	216400
BS+ Sound-insulated premium wall bracket for pre-wall mounting	240012
BS+ Washstand mounting unit for wall fitting*	212029.xx
BS+ Sink mounting unit for wall fitting*	212012.xx
BS+ Washstand mounting unit for stand fitting*	212005.xx
BS+ Washstand mounting unit for stand fitting (for fastening with threaded rods)*	212205.xx
BS+ Washstand mounting unit for stand fitting, barrier-free version with concealed siphon Haas OHA 3500*	212136.xx
BS+ Washstand mounting unit, for Water meter and UP shut-off valve*	212025.xx
BS+ Duo-Washstand Keramag iCon #124020/124120*	212017.xx
BS+ Duo-Washstand Keramag Smyle #120520*	212016.xx
BS+ Duo-Washstand V & B Subway 2.0 #7175D0/7176D2*	212021.xx
BS+ Duo-Washstand Duravit Vero #0454107/045412*	212014.xx
BS+ Urinal element with Geberit Universal body shell set	214712
BS+ Urinal element with GroheDAL Universal body shell set Rapido U	214019
BS+ Urinal element with Burda Universal body shell set Flowtronik	214800
BS+ Wall sink element Laufen Bernina with Geberit flush-mounted cistern Sigma	211057.00
BS+ Wall sink element Laufen Bernina with Geberit flush-mounted cistern Delta	211061.99
BS+ Wall sink element Keramag Espital with Geberit flush-mounted cistern Sigma	211060.00
BS+ Wall sink element Keramag Espital with Geberit flush-mounted cistern Delta	211062.99
BS+ Universal fitting plate	215005.00
BS+ BS+ traverse universal for concealed fittings/fans and hygienic flushes	215033
BS+ Traverse for washing machine	216004
BS+ Universal fitting plate for kitchen sink with drain bow DN50	215013
BS+ Traverse for water meter	215015
BS+ Shower element for shower head (for concealed fittings and Geberit wall drain)	235300
BS+ Shower element for shower head (for flush-mounted fittings)	235200
BS+ Wall bracket for rear wall premounting for shower element	240020
Santro element for cabinet for instantaneous water heater	215010.00
Santro built-in wardrobe 30 cm	403160
Santro Pre-wall system WC complete kit	611250.00
Santro Washstand module for upright fitting, overall height 1080 mm	621258.00
Kombiset supporting columns	550039
M-Blockcare WCmove	see page 22
M-Blockcare WTmove	see page 23
shower channel burda Channel-Line S with cover	see page 24
shower channel burda Channel-Line S with tile trough	see page 24
shower channel burda Channel-Line X with cover/tile trough (for secondary drainage)	see page 24
Planoboards floor-level shower systems point outlet	see page 27

* washstands and sinks can be ordered with connections under the item Endnumber .00 and without under .99

BS+ WC mounting unit with flush-mounted cistern K770

for drywall construction, offers installers and planners the possibility to fall back on pre-assembled units and to plan individual solutions due to the large selection of pushbuttons.

Sound-insulated with premium wall bracket for pre-wall mounting



Sound insulation DIN 4109

Optional

Sound-insulated premium wall bracket for pre-wall mounting



item no. 240012

Sound-insulated plastic inserts for the inclusion of the PE-HD elbow connector

Sound-insulated, pull-out Plastic feet

notice:

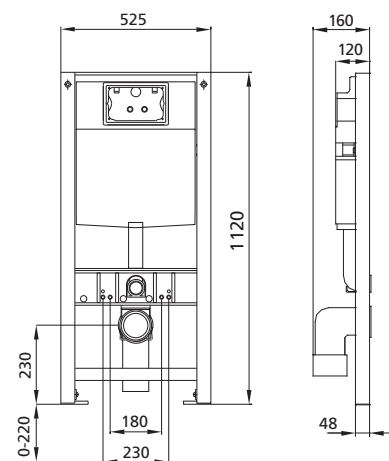
WC support brackets for additional support of WC ceramics with a small contact surface of less than 17 cm (e. g. Flaminia, Sentique)
item no. 216400



BS+ WC mounting unit with flush-mounted cistern K770
item no. 211140.00

all toilets compatible with Duravit Sensowash®

- The frames consist of 48 mm wide profiles, you can perfectly built in a 50s plasterboard stud wall.
- GFKI building boards can be installed joint to joint
- Fastening the construction panels without pre-drilling
- Sound decoupling as standard integrated (all red plastic parts)
- Element feet standard 220 mm extensible
- High corrosion protection due to sendzimir galvanized elements.
- 4 point fastening
- All current standards are complied with (e. g. DIN 4109 etc.)
- Seal can also be used by other manufacturers
- Even easier installation thanks to the new premium wall bracket



Combination examples:



T785



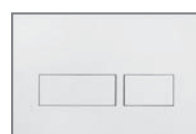
T789



T790



T791



T795



T798

BS+ WC mounting unit with flush-mounted cistern Geberit Sigma

for drywall construction, offers installers and planners the possibility to fall back on pre-assembled units and to plan individual solutions due to the large selection of pushbuttons.

Sound-insulated with premium wall bracket for pre-wall mounting



Sound insulation DIN 4109

Optional

Sound-insulated premium wall bracket for pre-wall mounting



item no. 240012



Sound-insulated plastic inserts for the inclusion of the PE-HD elbow connector

Sound-insulated, pull-out Plastic feet

- The frames consist of 48 mm wide profiles, you can perfectly built in a 50s plasterboard stud wall.
- GFKI building boards can be installed joint to joint
- Fastening the construction panels without pre-drilling
- Sound decoupling as standard integrated (all red plastic parts)
- Element feet standard 220 mm extensible
- High corrosion protection due to sendzimir galvanized elements.
- 4 point fastening
- All current standards are complied with (e.g. DIN 4109 etc.)
- Even easier installation thanks to the new premium wall bracket

notice:

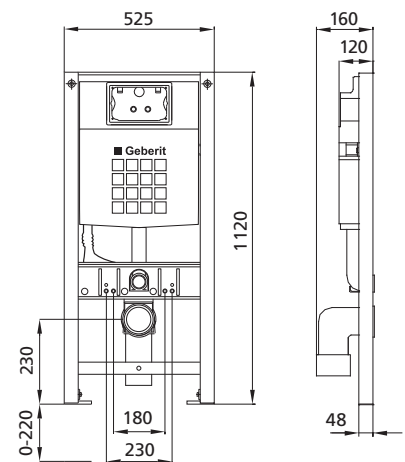
WC support brackets for additional support of WC ceramics with a small contact surface of less than 17 cm (e. g. Flaminia, Sentique) item no. 216400



BS+ WC mounting unit with flush-mounted cistern Geberit Sigma
item no. 211088.00

all toilets compatible with Duravit Sensowash®

Geberit concealed cisterns compatible with Geberit AquaClean and Discharge chute for cleaning cubes



Combination examples:



Geberit Sigma01



Geberit Sigma10



Geberit Sigma20



Geberit Sigma30



Geberit Sigma50



Geberit Sigma60

BS+ WC mounting unit

for barrier-free WC facilities, with flush-mounted cistern Sigma

for drywall construction, offers installers and planners the possibility to fall back on pre-assembled units and to plan individual solutions due to the large selection of pushbuttons.

Sound-insulated with premium wall bracket for pre-wall mounting



Sound insulation DIN 4109

Included

Sound-insulated premium wall bracket for pre-wall mounting



item no. 240012

Sound-insulated plastic inserts for the inclusion of the PE-HD elbow connector

Sound-insulated, pull-out Plastic feet



BS+ WC mounting unit for barrier-free facilities, with flush-mounted cistern Geberit Sigma

item no. 211600.00 (mounting right + left)
 item no. 211606.00 (mounting right)
 item no. 211666.00 (mounting left)

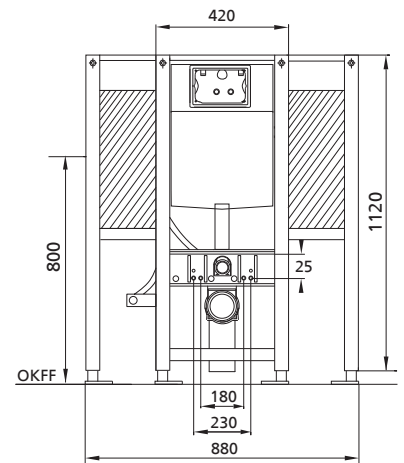
notice:

WC support brackets for additional support of WC ceramics with a small contact surface of less than 17 cm (e. g. Flaminia, Sentique)
 item no. 216400



Geberit concealed cisterns compatible with Geberit AquaClean and Discharge chute for cleaning cubes

- The frames consist of 48 mm wide profiles, you can perfectly built in a 50s plasterboard stud wall.
- GFKI building boards can be installed joint to joint
- Fastening the construction panels without pre-drill
- Sound decoupling as standard integrated (all red plastic parts)
- Element feet standard 220 mm extensible
- High corrosion protection due to sendzimir galvanized elements.
- 4 point fastening
- All current standards are complied with (e.g. DIN 4109 etc.)



all toilets compatible with Duravit Sensowash®

Combination examples:



Geberit Sigma01



Geberit Sigma10



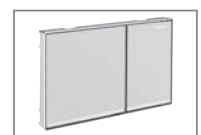
Geberit Sigma20



Geberit Sigma30



Geberit Sigma50



Geberit Sigma60

BS+ Wall WC element for subsequent height adjustment

for drywall construction, offers installers and planners the possibility to fall back on pre-assembled units and to plan individual solutions due to the large selection of pushbuttons.

Seat height subsequently adjustable and changeable!
Only remove the actuation button and set the desired height.

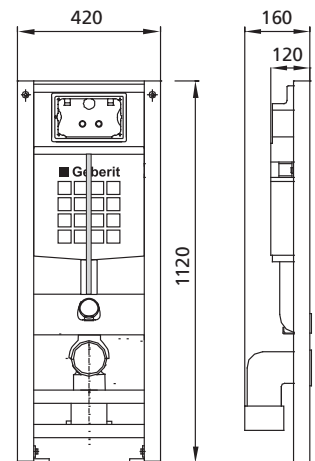


**8 cm
height-adjustable
after tiling**



BS+ mounting unit for barrier-free toilet facilities with flush mounted cistern Geberit Sigma with cover plate (white) 8 cm height adjustable after tiling item no. 211090.00

- The frames consist of 48 mm wide profiles, you can perfectly built in a 50s plasterboard stud wall.
- GKF building boards can be installed joint to joint
- Fastening the construction panels without pre-drill
- Element feet standard 220 mm extensible
- High corrosion protection due to sendzimir galvanized elements.
- 4 point fastening
- All current standards are complied with (e.g. DIN 4109 etc.)



notice:
WC support brackets for additional support of WC ceramics with a small contact surface of less than 17 cm (e.g. Flaminia, Sentique) item no. 216400



Geberit concealed cisterns compatible with Geberit AquaClean and Discharge chute for cleaning cubes

all toilets compatible with Duravit Sensowash®

Combination examples:



Geberit Sigma01



Geberit Sigma10



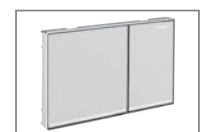
Geberit Sigma20



Geberit Sigma30



Geberit Sigma50



Geberit Sigma60

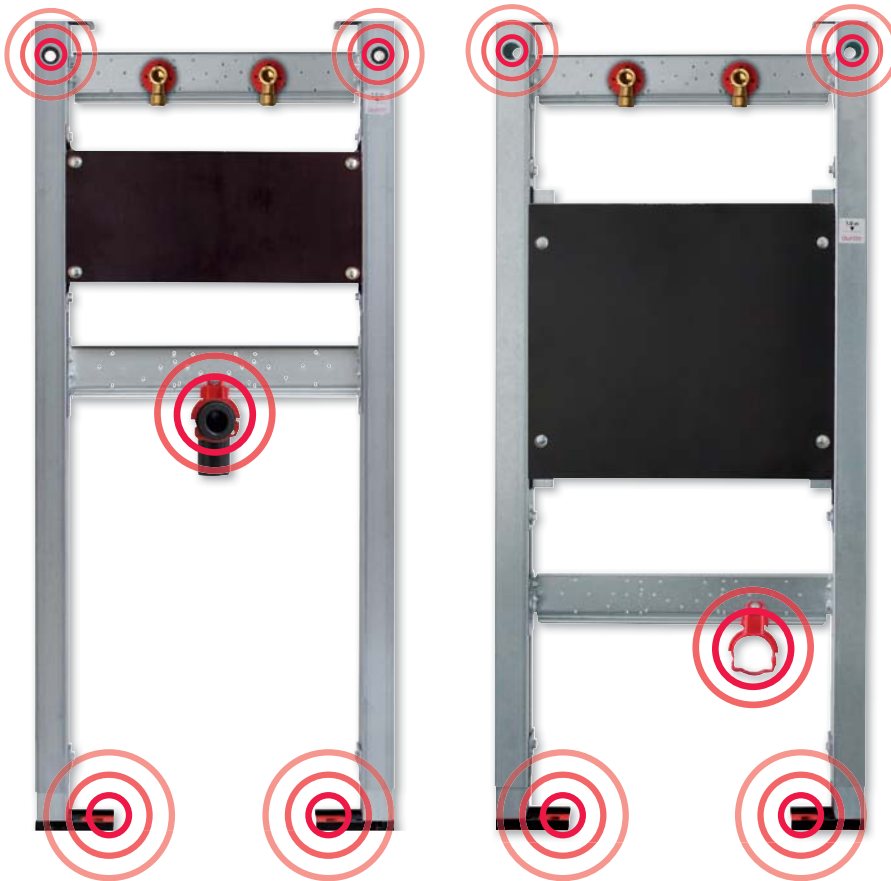
BS+ Washstand/Sink mounting unit for wall fitting

for drywall construction, offers installers and planners the possibility to fall back on pre-assembled units

Sound-insulated with premium wall bracket for pre-wall mounting



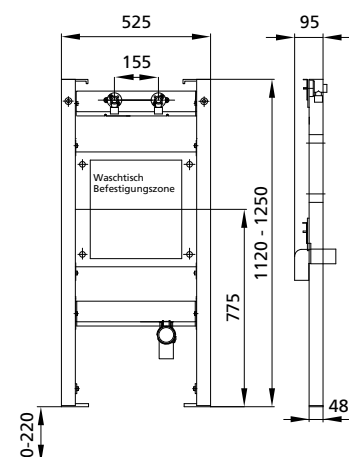
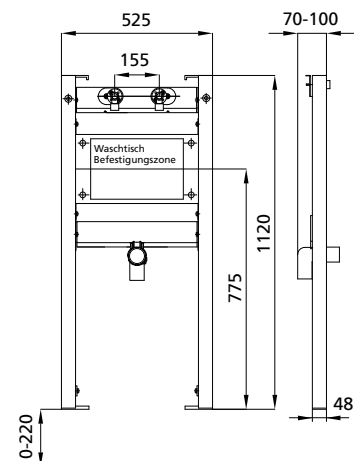
Sound insulation DIN 4109



BS+ Washstand mounting unit=
item no. 212029.xx

BS+ Sink mounting unit
item no. 212012.xx

- The frames consist of 48 mm wide profiles, you can perfectly built in a 50s plasterboard stud wall.
- GFKI building boards can be installed joint to joint
- Fastening the construction panels without pre-drill
- Sound decoupling as standard integrated (all red plastic parts)
- Element feet standard 220 mm extensible
- High corrosion protection due to sendzimir galvanized elements.
- 4 point fastening
- All current standards are complied with (e.g. DIN 4109 etc.)



Optional
Sound-insulated premium wall bracket
for pre-wall mounting

item no. 240012



BS+ WT mounting unit for stand fitting

für den Trockenbau, bietet Installateuren und Planern die Möglichkeit auf vormontierte Einheiten zurückzugreifen.

Sound-insulated with premium wall bracket for pre-wall mounting



Sound insulation DIN 4109

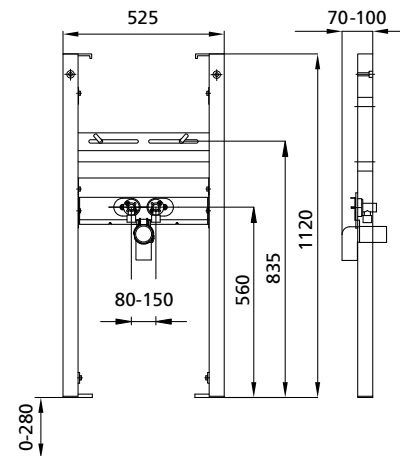


also available with external press connections on request

- The frames consist of 48 mm wide profiles, you can perfectly built in a 50s plasterboard stud wall.
- GKFI building boards can be installed joint to joint
- Fastening the construction panels without pre-drill
- Sound decoupling as standard integrated (all red plastic parts)
- Element feet standard 220 mm extensible
- High corrosion protection due to sendzimir galvanized elements.
- 4 point fastening
- All current standards are complied with (e.g. DIN 4109 etc.)

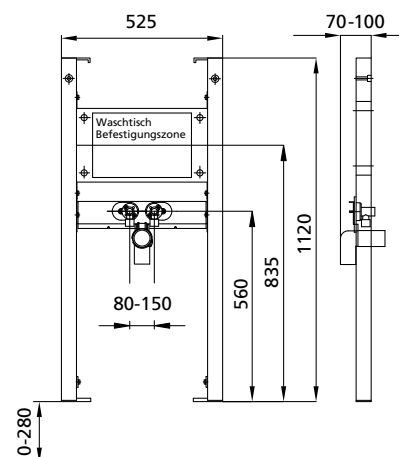
BS+ Washstand mounting unit= item no. 212005.xx

BS+ Washstand mounting unit for fastening with threaded rods item no. 212205.xx



Optional
Sound-insulated premium wall bracket for pre-wall mounting

item no. 240012



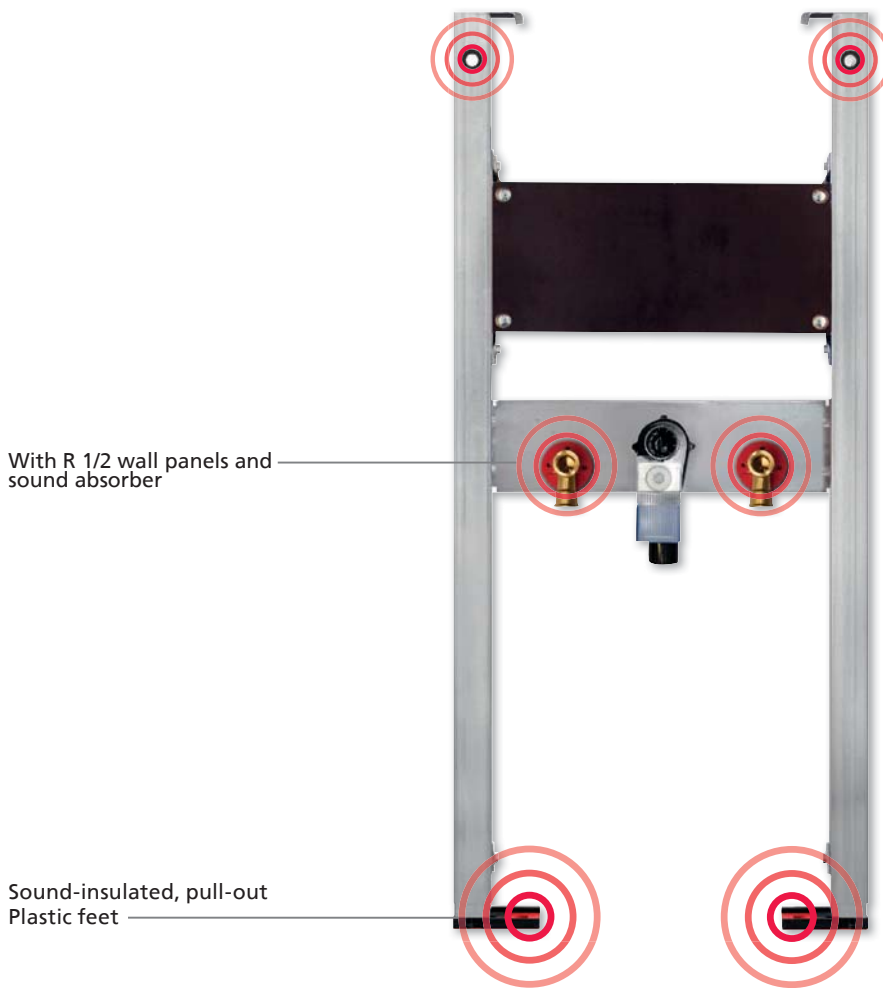
BS+ Washstand mounting unit for stand fitting, barrier-free version with concealed siphon Haas OHA 3500

for drywall construction, offers installers and planners the possibility to fall back on pre-assembled units

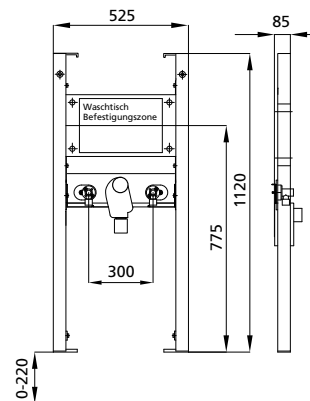
Sound-insulated with premium wall bracket for pre-wall mounting



Sound insulation DIN 4109



- The frames consist of 48 mm wide profiles, you can perfectly built in a 50s plasterboard stud wall.
- GKFI building boards can be installed joint to joint
- with built-in flush-mounted odour seal, connecting bend and siphon cover Stainless steel
- Fastening the construction panels without pre-drill
- Sound decoupling as standard integrated (all red plastic parts)
- Element feet standard 220 mm extensible
- High corrosion protection due to sendzimir galvanized elements.
- 4 point fastening
- All current standards are complied with (e. g. DIN 4109 etc.)



BS+ Washstand mounting unit, barrier-free version with concealed siphon Haas OHA 3500
item no. 212136.xx

Optional
Sound-insulated premium wall bracket for pre-wall mounting

item no. 240012



BS+ Washstand mounting unit for Water meter and flush-mounted shut-off valve

for drywall construction, offers installers and planners the possibility to fall back on pre-assembled units

Sound-insulated with premium wall bracket for pre-wall mounting



Sound insulation DIN 4109



Included
UP shut-off valve in chrome and
shortenable extension

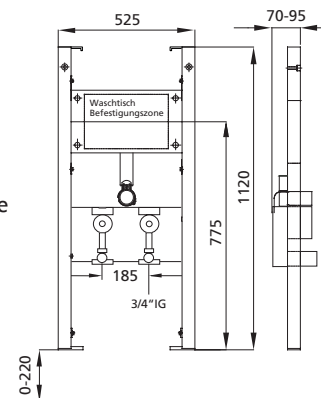


1/2" internal thread
front and back

- made of galvanized, self-supporting and sound-insulated steel construction,
- with mounting plate for variable washstand mounting,
- with swivelling siphon bow DN 50,
- with all mounting accessories for element and washstand,
- 2 flush-mounted valve combinations
Water meter shut-off valves made of gunmetal, incl. extension with 1/2" internal thread for the connection of washstand corner valves, incl. insulation; Gunmetal according to DIN-EN 1982 and DIN 50930 Part 6, Sealing elements made of EPDM (KTW, W270 tested). 2 flush-mounted single-pipe connection pieces for MTK / MTW-NG (2" EAS KOAX) incl. blind cover and gasket set
- 2 upper parts for the barrier, chrome

Sound-insulated, pull-out
Plastic feet

BS+ Washstand mounting unit,
for Water meter and flush-mounted shut-off valve
item no. 212025.xx



Optional
Sound-insulated premium wall bracket
for pre-wall mounting

item no. 240012



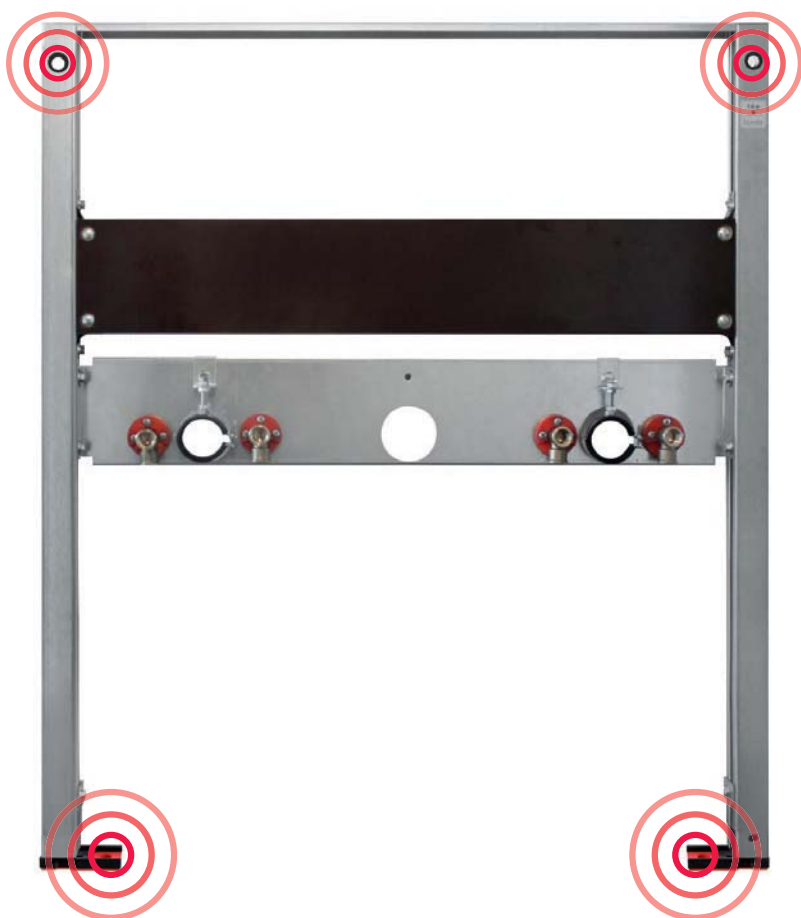
BS+ Duo washstand element for upright fitting

for drywall construction, offers installers and planners the possibility to fall back on pre-assembled units

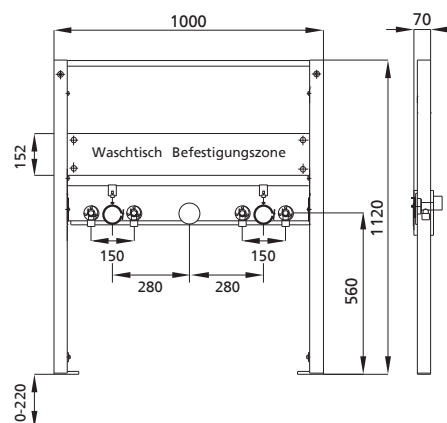
Sound-insulated with premium wall bracket for pre-wall mounting



Sound insulation DIN 4109



- The frames consist of 48 mm wide profiles, you can perfectly built in a 50s plasterboard stud wall.
- GKFI building boards can be installed joint to joint
- Fastening the construction panels without pre-drill
- Sound decoupling as standard integrated (all red plastic parts)
- Element feet standard 220 mm extensible
- High corrosion protection due to sendzimir galvanized elements.
- 4 point fastening
- All current standards are complied with (e.g. DIN 4109 etc.)



BS+ Duo washstand
Keramag iCon #124020/124120
item no. 212017.xx

BS+ Duo washstand
V & B Subway 2.0 #7175D0/7176D2
item no. 212021.xx

BS+ Duo washstand
Keramag Smyle #120520
item no. 212016.xx

BS+ Duo washstand
Duravit Vero #0454107/045412
item no. 212014.xx

Optional
Sound-insulated premium wall bracket
for pre-wall mounting

item no. 240012



BS+ Urinal element with Universal body shell set

for drywall construction, offers installers and planners the possibility to fall back on pre-assembled units

Sound-insulated with premium wall bracket for pre-wall mounting



Sound insulation DIN 4109

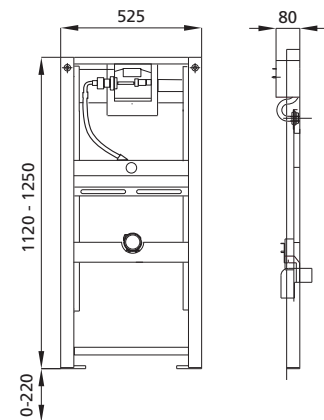
suitable for Geberit HyTronic and HyTouch final assembly sets



Sound-insulated fastening clip for outlet bend

Sound-insulated, pull-out Plastic feet

- The frames consist of 48 mm wide profiles, you can perfectly built in a 50s plasterboard stud wall.
- GFKI building boards can be installed joint to joint
- Fastening the construction panels without pre-drill
- Sound decoupling as standard integrated (all red plastic parts)
- Element feet standard 220 mm extensible
- High corrosion protection due to sendzimir galvanized elements.
- 4 point fastening
- All current standards are complied with (e. g. DIN 4109 etc.)



BS+ Urinal element
with Geberit Universal body shell set
item no. 214712

with GroheDAL
Universal body shell set Rapido U
item no. 214019

Optional
Sound-insulated premium wall bracket
for pre-wall mounting

item no. 240012



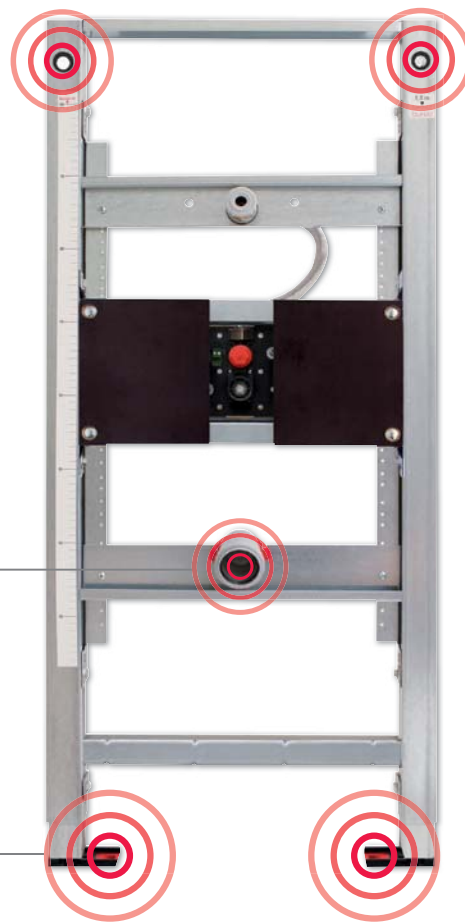
BS+ Urinal element with Burda Universal body shell set Flowtronik

for drywall construction, offers installers and planners the possibility to fall back on pre-assembled units

Sound-insulated with premium wall bracket for pre-wall mounting



Sound insulation DIN 4109

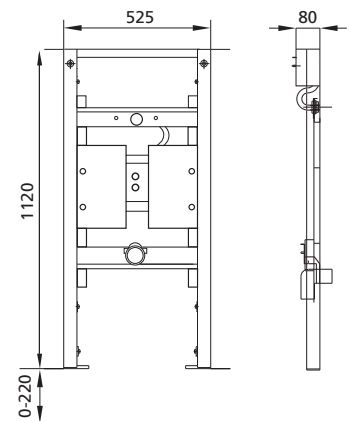


Sound-insulated fastening clip for outlet bend

Sound-insulated, pull-out Plastic feet

BS+ Urinal element
with Burda Universal body shell set
Flowtronik
item no. 214800

- The frames consist of 48 mm wide profiles, you can perfectly built in a 50s plasterboard stud wall.
- GKFI building boards can be installed joint to joint
- Fastening the construction panels without pre-drill
- Sound decoupling as standard integrated (all red plastic parts)
- Element feet standard 220 mm extensible
- High corrosion protection due to sendzimir galvanized elements.
- 4 point fastening
- All current standards are complied with (e. g. DIN 4109 etc.)



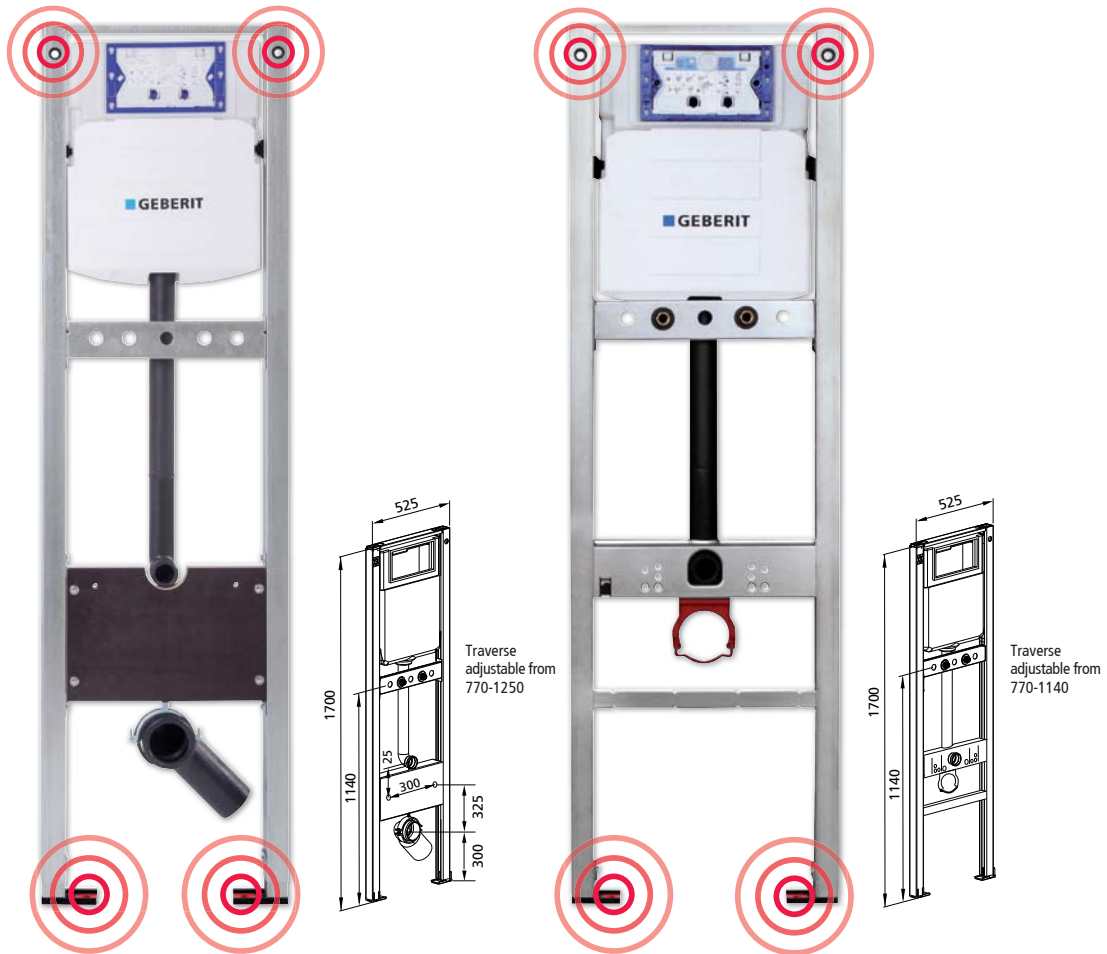
Optional
Sound-insulated premium wall bracket
for pre-wall mounting

item no. 240012



BS+ Wall sink element with Geberit flush-mounted cistern Sigma or Delta, prepared for wall fitting

Areas of application: Day-care centres, hospitals, nursing homes etc.



Laufen Bernina
with Geberit flush-mounted cistern Sigma
item no. 211057.00
with Geberit flush-mounted cistern Delta
item no. 211061.99

Keramag Espital
with Geberit flush-mounted cistern Sigma
item no. 211060.00
with Geberit flush-mounted cistern Delta
item no. 211062.99

suitable for: Dry construction and pre-wall

- Self-supporting sendzimir galvanized and sound-insulated steel frame 48 mm
- Traverse Armatur höhenverstellbar 770-1250 mm
- Water connection rear or top centre
- Building protection for service opening protects against moisture and dirt
- Suitable for the following flush buttons: The complete Sigma series (except Sigma40)
- Suitable for insertion of cleaning cubes
- Without wall-mounted sinks

BS+ fitting plates and traverses suitable for: Dry construction

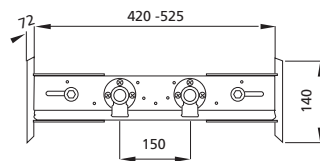
- made of galvanized sheet metal construction
- with lateral mounting option on CW profiles of a stud wall
- with all mounting accessories

BS+ Universal fitting plate for surface-mounted fittings / Nozzle valve

- with 2 sound-decoupled wall panels 1/2".



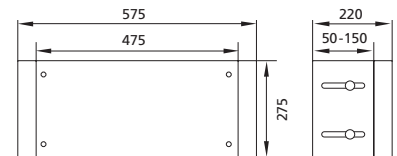
BS+ Universal fitting plate
item no. 215005.00



BS+ traverse universal for concealed fittings/fans and hygienic flushes



BS+ traverse universal for concealed fittings/fans and hygienic flushes depth-adjustable and with rotating angle
item no. 215033

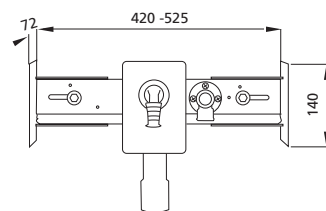


BS+ Traverse for washing machine

- mit UP-Siphon WM und Wandscheibe 1/2".



BS+ Traverse for washing machine
item no. 216004

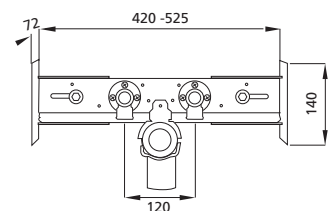


BS+ Universal fitting plate for kitchen sink

- with 2 sound-decoupled wall panels 1/2".

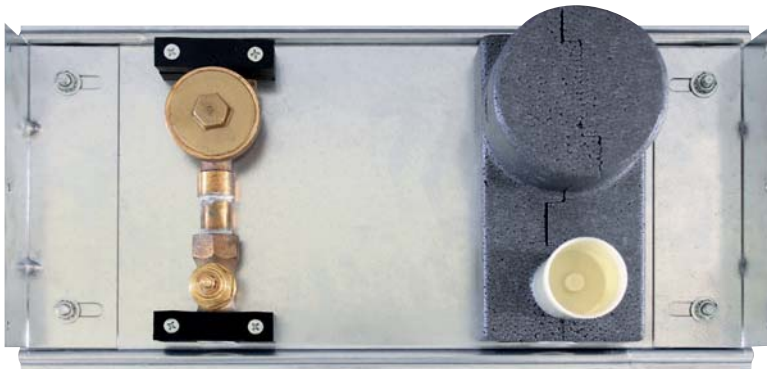


BS+ Universal fitting plate for kitchen sink with drain bowl DN50
item no. 215013



BS+ Traverse for water meter

- 2 UP single-pipe connection piece for MTK / MTW-NG (2" EAS KOAX) incl. blind cover and gasket set
- 2 UP piston valve, free of dead space and low pressure loss (DIN DVGW tested with sound insulation according to DIN 4109, valve group 1)
- 4 sound-insulated brackets
- 2 two-piece polystyrene insulations - building material class B1 (permissible operating overpressure PB: 10 bar, permissible operating temperature TB: 90°C, flow material: drinking water)

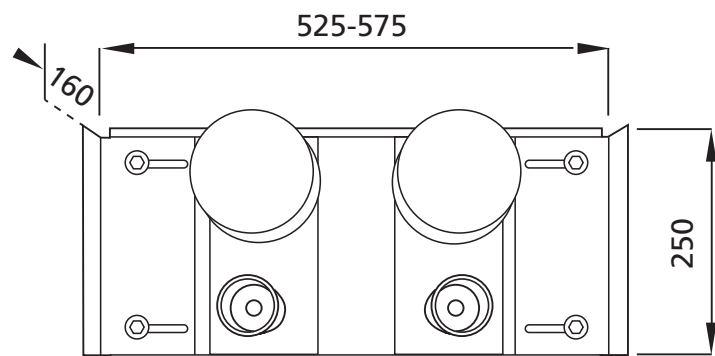


suitable for: Dry construction

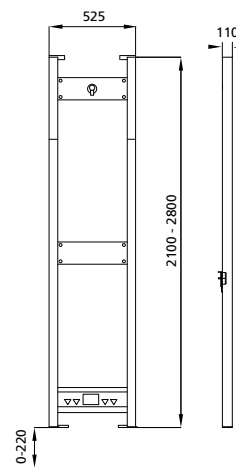
- made of galvanized sheet metal construction
- with lateral mounting option on CW profiles of a stud wall
- with all mounting accessories

BS+ Traverse for water meter
item no. 215015

Technical details BS+ Traverse for water meter



BS+ BS+ Shower element for shower head



Optional
Wall bracket for the rear
pre-wall installation
item no. 240020

A:
for concealed fittings
and Geberit wall drain
item no. 235300

B:
for UP fittings
item no. 235200

Traverses are high altitude
and depth adjustable
40-110 mm

suitable for: Dry construction and pre-wall

- Self-supporting sendzimir galvanized and sound-insulated steel frame 48 mm
- Height-adjustable crossbar fitting
- Traverse for shower head
- pre-assembled Geberit shower drain for draining floor-level showers, Cover plastic chrome

Santro

element for cabinet for instantaneous water heater
for cabinet, 30 cm wide with one door for instantaneous water heater



Element for cabinet
for instantaneous water heaters
item no. 215010.00

Built-in wardrobe 30 cm
item no. 403160



for installation in
one stud wall
according to DIN 18183
or in conjunction with
the accessory set
Item no. 240 008 as
Single element in a
pre-wall installation
usable.

Fastening material
and mounting frame
from galvanized
steel structure

W/H 400/1120

Installation examples:

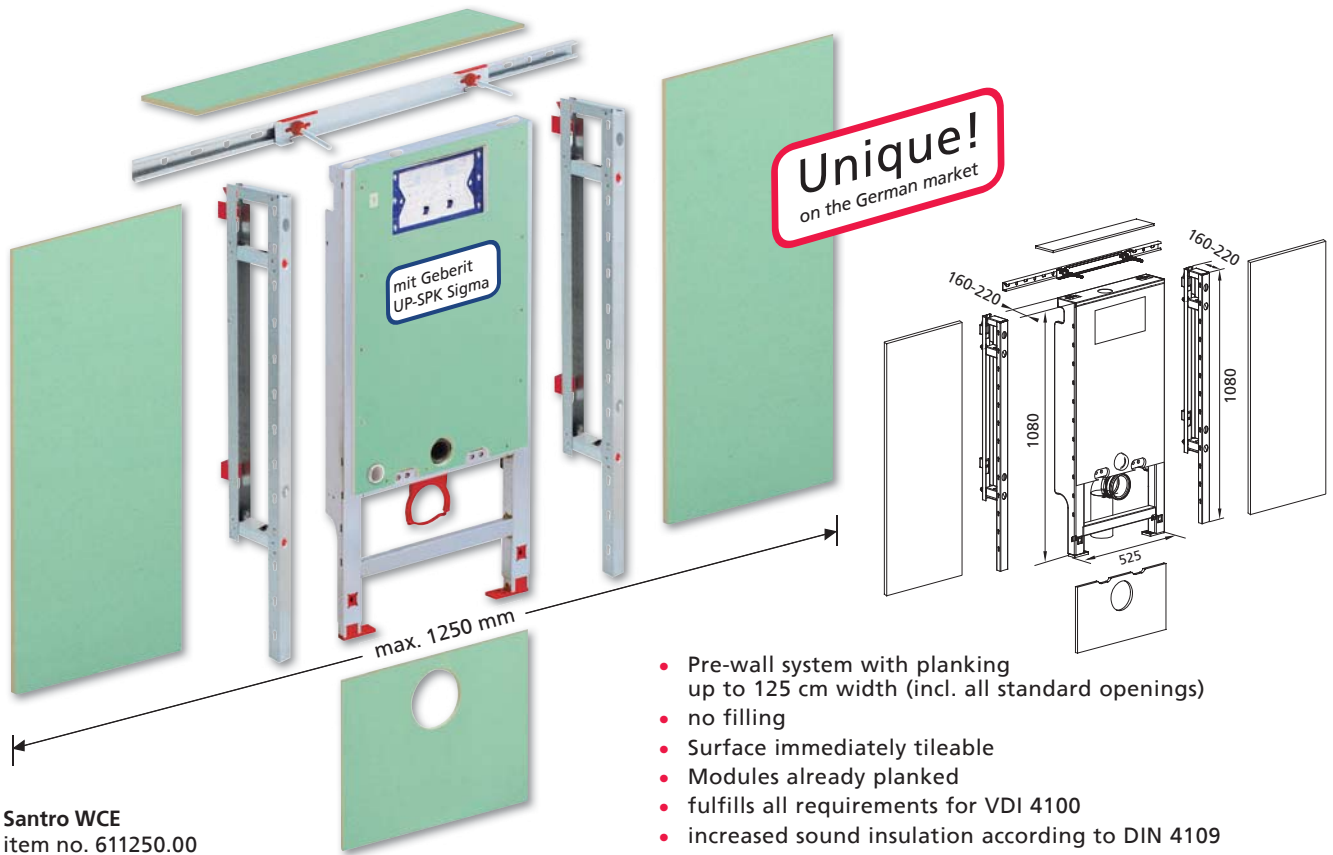


Santro

for the ready-planked pre-wall installation
for the basic construction of small and large bathrooms
for renovation or new construction

Why Santro pre-wall system?

- quick and easy assembly
- simple planning (only one article)
- clean (no dirt/debris/walls)



Santro WCE
item no. 611250.00

- Pre-wall system with planking up to 125 cm width (incl. all standard openings)
- no filling
- Surface immediately tileable
- Modules already planked
- fulfills all requirements for VDI 4100
- increased sound insulation according to DIN 4109 (complete pre-wall soundproofed)
- meets fire protection standard DIN 4102
- more storage space possible with built-in furniture

notice:

WC support brackets for additional support of WC ceramics with a small contact surface of less than 17 cm (e. g. Flaminia, Sentique)
item no. 216400



all toilets compatible with Duravit Sensowash®

Geberit concealed cisterns compatible with Geberit AquaClean and Discharge chute for cleaning cubes

Combination examples:



Geberit Sigma01



Geberit Sigma10



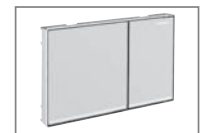
Geberit Sigma20



Geberit Sigma30



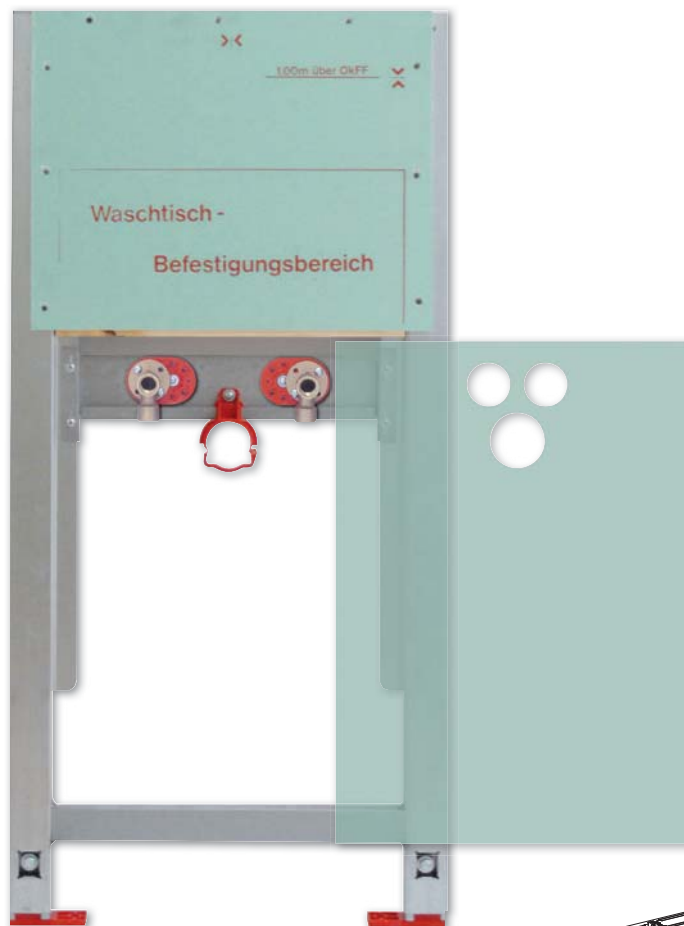
Geberit Sigma50



Geberit Sigma60

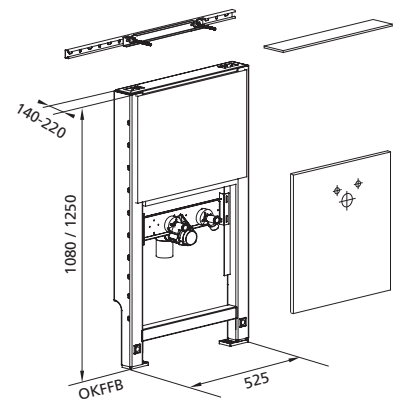
Santro

for the ready-planked pre-wall installation
Washstand module for upright fitting



Santro Washstand module
for upright fitting,
Installation Height 1080 mm
item no. 621258.00

- made of galvanized, self-supporting and sound-insulated steel construction,
- with single-layer (12.5 mm) GKFI construction panel, incl. all standard openings,
- with soundproof mounting rail,
- with mounting plate for variable wash stand mounting,
- with swivelling, depth-adjustable siphon bend DN 50,
- with rubber nipple 32 mm,
- with all mounting accessories,
- with adjustable foot supports, 0-220 mm,
- with 2 sound-decoupled, in width adjustable wall discs 1/2".



M-Blockcare WCmove for barrier-free WC facilities with electrical height adjustment



suitable for installation in a room-high installation or a pre-wall

Scope of delivery:

Dry construction element, self-supporting, made of powder-coated, self-supporting steel construction

without support handles

- with flush-mounted cistern
- with inspection plate made of glass, white
- with glass plate white
- with radio remote control
- with fibre-reinforced, core-impregnated plaster board front with all standard breakthroughs
- WC fastening 180 mm
- 30 cm electrically height adjustable
- Load capacity up to max. 350 kg
- standing aid

with support handles

- additionally with 2 Normbau folding support handles, Type cavere, colour silver-metallic (similar to RAL 9006) with integrated radio release for WC flushing and paper roll holder

optional

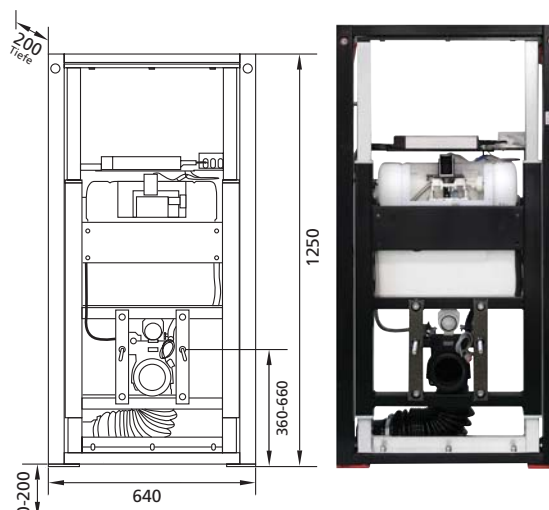
- individual glass plate colour according to RAL
- Cladding for individual assembly with individual colour selection

compatible with Duravit Sensowash®

compatible with Geberit AquaClean

execution	item no.
without support handles	270001
with support handles	270002
individual glass plate colour according to RAL *	270003
covering for individual mounting, individual colour selection *	270005
Vorbereitet für Aufnahme von Dusch-WC *	270010

*optional



M-Blockcare WTmove for barrier-free WC facilities with electrical height adjustment



suitable for installation in a room-high installation or a pre-wall

Scope of delivery:

Dry construction element, self-supporting, made of powder-coated, self-supporting steel construction

without washstand

- with UP siphon
- with glass plate white
- with radio remote control
- with fibre-reinforced, core-impregnated plaster board front with all standard breakthroughs
- for washstand mounting 280 mm
- 30 cm electrically height adjustable

with washstand

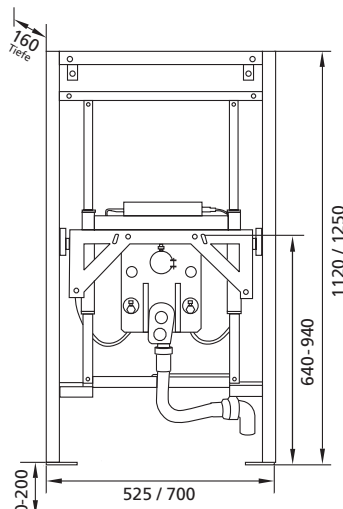
- additionally with design washbasin Rovabo for single-hole mixer, with integrated siphon ideal for wheelchair underride
- Towel holders for washstand Rovabo

optional

- individual glass plate colour according to RAL
- Glass plate with mirror
- Cladding for individual assembly with individual colour selection

execution	item no.
without washstand	
Inst. ht. 1120mm*	270501
Inst. ht. 1250mm	270502
with washstand	
Inst. ht. 1120mm **	270503
Inst. ht. 1250mm	270504
individual glass plate colour according to RAL*	270505
Glass plate with mirror*	270506
Covering for individual mounting, individual colour selection*	270508

* optional
** not for glass plate with mirror

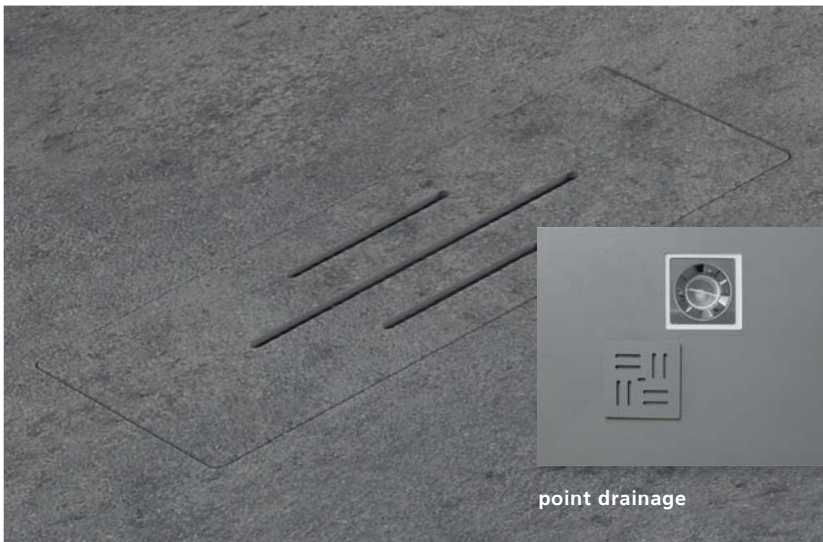


Plano-Style

floor-level shower elements
intelligent solutions for floor-level shower areas



- Barrier-free, as installation flush with floor possible
- Versatile decors
- wheelchair-accessible
- Safe standing
- Point or channel drain
- Integrated impact sound insulation
- Absolutely tight - no further treatment necessary ex works
- Can be shortened on site to adapt to site conditions
- Special sizes and custom-made products possible
- Low construction height
- Integrated thermal insulation
- Fire protection according to DIN
- Einfache, zeitsparende und saubere Montage



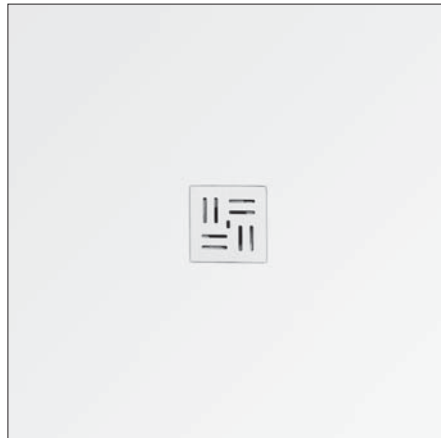
The boards are available with point drainage. With point drainage, which is usually placed in the middle of the shower element, the drain moves into the focus of design. The standard drain with a diameter of 90 mm can be used for point drainage.

Plano-Style

floor-level shower elements

Standard Formats / Special Formats

Point drainage



Special formats
on request

SQUARE		RECTANGLE	
Dimensions (in mm L x W x H)	item no.	Dimensions (in mm L x W x H)	item no.
800 x 800 x 30	860001.xx	900 x 750 x 30	860006.xx
900 x 900 x 30	860002.xx	900 x 800 x 30	860007.xx
1000 x 1000 x 30	860003.xx	1000 x 800 x 30	860008.xx
1200 x 1200 x 30	860004.xx	1000 x 900 x 30	860009.xx
1500 x 1500 x 30	860005.xx	1200 x 800 x 30	860010.xx
		1200 x 900 x 30	860011.xx
		1200 x 1000 x 30	860012.xx
		1700 x 750 x 30	860013.xx

Plano-Style

floor-level shower elements
with three different surface structures

Ergo+ by COSSOLID

burda Ergo+ has a vinyl surface that is even resistant to aggressive cleaning agents. Due to the low weight, the wall and floor plates are easy to install. The surface can be cold-welded so that a visually appealing, resilient, silicone-free and waterproof connection is possible.

Thanks to the addition of nanosilver particles, bacteria and mould have no chance and the surface thus meets the highest hygiene requirements.

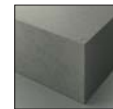
Furthermore it meets the strictest anti-slip requirements according to the EN 51097 standard and has a warm, soft feel. And in addition, Ergo+ offers very good resistance to the penetration of hair dyes and other aggressive substances.



White



Anthrazit



Beige-Grey

HPL by COSSOLID

burda HPL is made of high pressure laminate, which ensures excellent impact resistance. It is resistant to chemical and aggressive substances and complies with the EN 438 standard.

Due to its particularly low weight, the wall and floor plates are easy to install. HPL has proven itself for decades as a pore-free surface and can be found in almost every house as a floor or kitchen worktop, so that the highest hygiene requirements are met.

burda HPL is available with various surface structures that increase safety through their anti-slip effects - paired with a warm, soft feel, it thus perfectly combines comfort and safety.



White



Anthrazit



Lava



Concrete Look

Mineral Cast Look by COSSOLID

burda Mineral Cast Look has a matt acrylic surface and is resistant to aggressive cleaning agents.

Due to its particularly low weight, the wall and floor panels are easy to install.

Since the surface of Mineral Cast Look is completely free of pores, the conditions for perfect hygiene are also given here.

The matt finish provides a stylish, timeless design.



White



burda
Sanitärtechnik

Herbert Burda GmbH
Krefelder Straße 87
40549 Düsseldorf

Tel. +49 211 95001-0
Fax. +49 211 500575

www.burda-online.com