

High-performance, intelligent products and systems
for bathrooms and sanitary installations

burda
Sanitärtechnik



PLANO-X • CUCCOO BUILT-IN FURNITURE • FLUSH BUTTONS • FLUSHING
SYSTEMS • SANTRO • BS+ • KOMBISSET • MEROBLOCK • M-BLOCKCARE MOVE

Burda Sanitary Systems

Efficient solutions - satisfied customers

As a long-standing partner in the sanitary trade, we know that: no two building sites are the same. Some require a standard brickwork solution, others a dry construction stud wall. All clients want their rental premises to be renovated as quickly as possible and without having to clear them out. Whatever service the client expects from the fitter, we have the right installation system for the requirement in question.

No two building sites are the same. Clients on the other hand have at least one thing in common: anyone who appoints a tradesman expects perfect quality craftsmanship and that too at the best possible price. Faced with this contradiction of having to provide the best work at the lowest price in order to be competitive, craftsmen are permanently under a price pressure that at times threatens their existence. So that the fitter can manage the balancing act of being able to provide good and at the same time affordable work, we offer craftsmen industrially pre-assembled installation systems, which can be used to plan and work in a quick and orderly fashion. We are convinced that it is only possible to achieve further productivity and cost benefits on the building site using well thought out products which allow our fitters to deliver a professional and ultimately also a cost-effective service.

Being aware of this, as a family-managed company we have been developing reliable installation systems and sanitary engineering for the HVAC sector for more than four decades.



Geschäftsführer

Michael Burda

Our product groups

04 – 23 Plano-X Planopor, Planobasic, Planoline, Planostyle the floor level shower elements

24 – 31 cuccoo built-in furniture The bathroom furniture range with intelligent space saving solutions

32 – 37 Flush buttons and contactless flushing systems

38 – 49 SANTRO Dry construction installation system with planking ready for tiling

50 – 61 BS+ The dry construction installation system for subsequent planking

62 – 65 Kombiset Mounting element for wet walls

66 – 71 M-Blockcare move For barrier-free facilities

PLANO X

Floor-level shower elements with tileable or finished surfaces





Planopor Planoline

intelligent solutions for floor-level shower areas

- Barrier-free, as floor-level installation is possible
- Wheelchair access, ceramic facing of at least 5 x 5 cm
- Secure standing by only 1-3% slope
- Standard sizes in the formats square, rectangle, pentagon, quadrant
- Optional impact sound insulation
- Made absolutely leak-proof at the factory, no further treatment needed
- Double-sided special coating for immediate fitting of ceramic or other floorings
- Can be shortened on each side up to 10 cm to adapt to conditions on site
- Special sizes and designs available on request
- Low installation height from 30 mm
- Sound insulation in wall connection area through standardised factory-fitted insulation strips
- Integrated thermal insulation
- Simple, time-saving and clean installation

PLANO X

Floor-level shower elements with tileable or finished surfaces

With the fully pre-assembled and ready-to-tile shower elements from burda the implementation of floor-level shower areas is possible even without elaborate preparation. The shower elements are simply flush-mounted in the screed by the executing specialised craftsmen, fixed to the substrate with tile adhesive and then tiled. Manual modelling of the flow inclination, complex insulation of the drain and subsequent sealing of the surface are not required here. The elements are already provided at the factory with a pre-fabricated flow inclination, a pre-assembled and insulated drain housing as well as a waterproof and ready-to-tile coated surface.



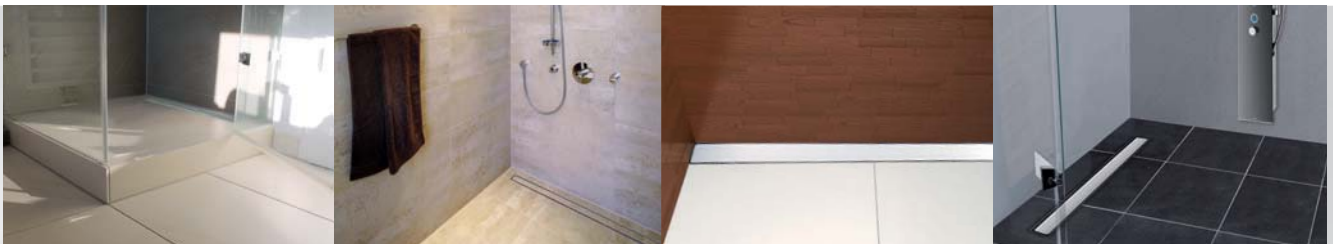
PLANO POR



Whether punctiform drain or trough, the design possibilities of a floor-level shower with a continuous tiled surface are varied and adapt to any life style. The integrated slope towards the drain ensures a fast drain of the shower water.

Suitable flooring includes ceramic, natural stone, mosaic or similar surface materials. The drain grate frame can be easily adapted.

Alternatively there is a wide range of shower elements with finished surfaces. The exquisite options in surface materials, various design grids and freely selectable formats enlarge the design space enormously. Consummate features and exceptional design create a totally new shower experience. The answer to the increased expectations and needs to use the bathroom as a wellness centre.



PLANOLINE



Examples: Drainage troughs



Shower elements with finished surfaces are available in a wide selection of high quality materials.

Whether it be skin-friendly, scratch-resistant ceramic surfaces in a wide colour spectrum *Planotech shower elements* or pore-deep cast mineral surface, optional anti-slip, in any desired RAL colour *Planolife shower element*, as well as elements with

luxury finishes of natural stone in four different marble and six different granite options

Elegance shower elements and with surfaces of the favoured natural material wood with special sealing in four different laying patterns *Nature shower elements* leave no wishes unfulfilled.

PLANO X

Floor-level shower elements with tileable or finished surfaces

In hotels and spas

Especially facilities where safety with body care is a top priority can hardly do without the floor-level shower elements. Due to the wide range and variable size design, you can justify any given interior layout.

Also, from a hygienic point of view, the system is unparalleled because the cleaning of shower facilities is so much easier and efficient.

HOSPITAL & NURSING HOME



Even high stresses such as a wheelchair on the shower floor are not an issue for floor-level shower systems. A slice of independence and freedom for the elderly and disabled and also a visually appealing design, so that nothing stands in the way of recovering.

While practicality and functionality are in the foreground in the hospital, the emphasis is primarily on exclusivity and design in the hotel industry. However, easy cleaning and safety are also essential issues. Then, when the design and ambience agrees in addition and guests feel comfortable, because the bathroom is a wellness centre, you have made the right choice.

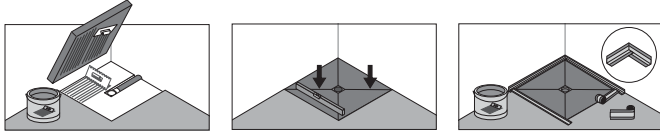
HOTELS & SPAS



Due to the variety of design options, the look of the bathroom area can be easily adapted to any ambience. Whether classic, modern or innovative, any bathroom can be customised with our products.

PLANO X

Floor-level shower elements with tileable or finished surfaces

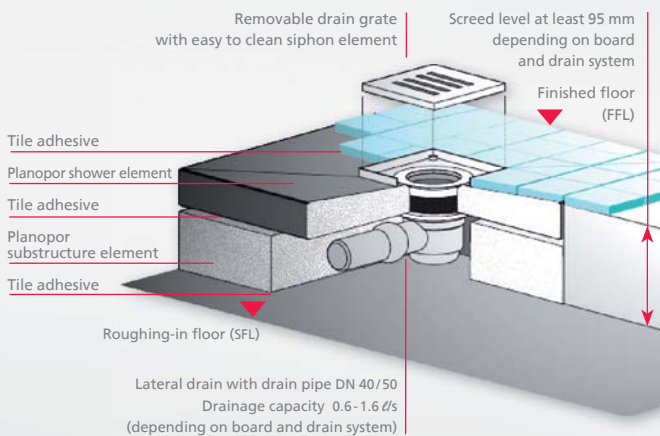


The waterproof shower element is flush-mounted in the screed, glued, sealed and tiled at floor level.

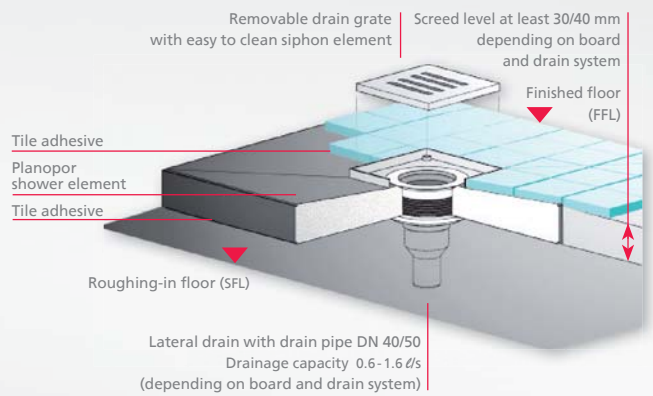
Planopor Facts and figures:

The Planopor standard range includes a series of popular shower formats and sizes, adapted to the size of standard shower partitions. In addition, with Planopor, individual shower areas can also be integrated precisely in niches, on projections and even in quirky floor cracks. For Burda, executing special requests quickly and reliably is not an exception, but routine business. Talk to your installer or your wholesale dealer and fulfil your dream floor-level tiled shower in your next bathroom in your desired sizes.

Planopor Horizontal drain



Planopor Vertical drain

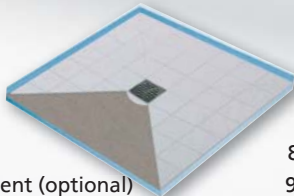


Planopor shower elements Square

DRAINAGE CAPACITY
0.6 – 1.6 l/s

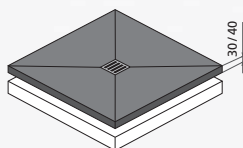
Scope of delivery:

- Shower element
- Floor drain
DIN EN 1253
- Substructure element (optional)
- Standard drain grate



800 mm x 800 mm
900 mm x 900 mm
1000 mm x 1000 mm
1200 mm x 1200 mm
1300 mm x 1300 mm
1400 mm x 1400 mm
1500 mm x 1500 mm

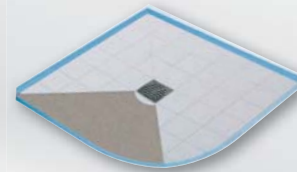
Suitable for popular shower partitions



Planopor shower elements Quadrant (Standard: r = 550 mm)

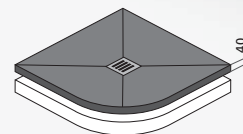
Scope of delivery:

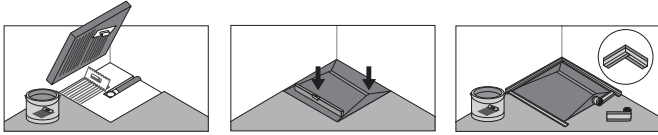
- Shower element
- Floor drain
DIN EN 1253
- Substructure element (optional)
- Standard drain grate



900 mm x 900 mm
1000 mm x 1000 mm

Suitable for popular shower partitions



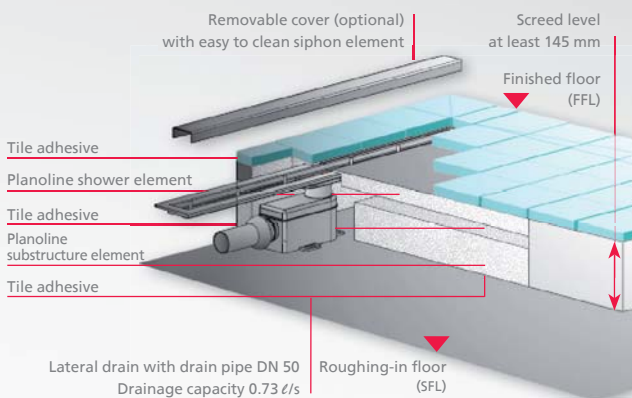


The waterproof shower element is flush-mounted in the screed, glued, sealed and tiled at floor level.

Planoline Facts and figures:

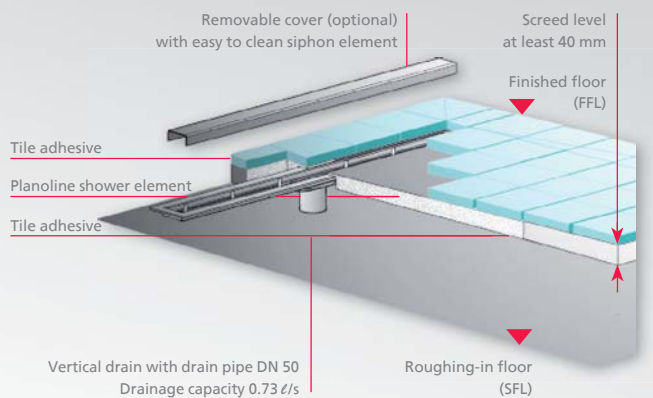
Planoline shower elements are provided with ceramic covering and can be used wherever barrier-free construction is required according to building regulations, such as in nursing homes, homes for the disabled and so on, and also where the comfort and aesthetics of modern building are desired. This is an extruded polystyrene foam core with fibreglass fabric, reinforced special mortar coating and alternative sealing with an integrated slope of about 2%.

Planoline Horizontal drain



Planoline Vertical drain

not for use in fire protected areas

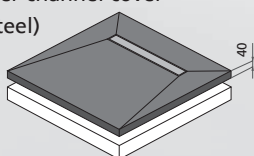
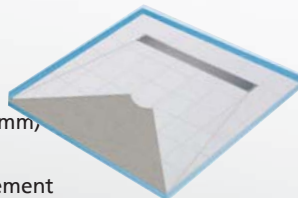


Planoline shower elements Square with shower channel

DRAINAGE CAPACITY
0.73 l/s

Scope of delivery:

- Integrated shower element (d=40 mm)
- Floor drain DN 50
- Level compensation element (optional)
- With shower channel cover (stainless steel)



Channel length 300 mm 700 mm

800 mm x 800 mm

Channel length: 800 mm

900 mm x 900 mm

Channel length: 900 mm

1000 mm x 1000 mm

Channel length: 1100 mm

1200 mm x 1200 mm

1300 mm x 1300 mm

Horizontal or vertical drain

Note for barrier-free construction:

- Motion profiles must be installed in the transition area (shower element/room screed).
- Permanently elastic joints must be created in the connection area of the motion profile and around the outlet frame.
- For wheelchair use, the tiles must have a minimum size of 5 x 5 cm. (for Planoline)

Available in the accessories:

- The complete assembly materials such as sealants and sealing tapes for interior and exterior corners
- Levelling elements for height adjustment of the substructure to the on-site screed level
- High-quality designer grates made of solid, polished V4A stainless steel
- Frame tops for the floor drain (when using thicker tiles or a natural stone facing)

PLANO X

BasicBoard – Intelligent solutions for floor-level shower areas



PLANOBASIC

The shower tray substructure element

Planobasic enables the quick and easy construction of floor-level shower areas. Low installation height, even slope of about 2% to the floor drain and immediately tileable with ceramic or other alternative floor facing, facilitates quick and easy mounting without rises and edges. Four standard shapes and 22 standard sizes and the possibility of special fabrication allow almost limitless scope for individual planning. The Planobasic is sealed at the factory optionally.

In addition to the standard drain system, you can request for a solution for comfort or fire protection. They offer the option of height and lateral adjustment of the grate.

Planobasic fulfils the requirements of DIN 18040.

Floor level and immediately tileable

A factory-mounted screed connection with grooving simplifies the screed connection.

Alternatively, the floor connection can be made with the Planopor flooring board NF. The substructure block Planopor Substructure element is recommended for quick height compensation.

Time-saving and clean without soaking the substructure. Due to the special coating on both sides, the Planobasic is prepared for the immediate fitting of ceramic or other floor coverings.

Optionally, the Planobasic (Sinus) is also available to fit moulded tiles. Perfect solution is provided by the standardised, factory-mounted flexible sealing tape to seal the wall terminal with a built-in 8 mm edge insulation strip, which reduces the sound transmission to the wall area.

PLANO X

Basic Board – Intelligent solutions for floor-level shower areas

Your advantages

- Barrier-free, as floor-level installation is possible
- Wheelchair access, ceramic covering at least 50 x 50 mm
- Secure standing by only 2% slope
- 22 standard sizes in the formats square, rectangle, pentagon, quadrant
- Optional impact sound insulation
- Alternatively sealed, absolutely leak proof
- Double-sided special coating for immediate fitting of ceramic or other floorings
- Grooving is used for optimal connection to wet screed or for further processing with the Planopor flooring board NF
- Special sizes and designs available on request
- Low installation height from 30 mm
- Sound insulation in wall connection area through standardised factory-fitted insulation strips
- Standardised factory-fitted sealing tape facilitates sealing in the wall area
- Integrated thermal insulation
- Simple, time-saving and clean installation



PLANO BASIC

Floor drain standard (according to DIN EN 1253)

The drain is insulated at the factory. A horizontal or vertical design can be chosen for the outlet (DN 50). The drain capacity in litres is 0.8 l/sec.

With the flat drainage, renovation of old buildings does not pose problems any more. With a water trap height of 50 mm, a drain capacity in litres of 0.8 l/sec is reached (DIN EN 1253)



Fire protection

Floor drain ABS, drain DN 70 vertical (0.8 l/sec)



Standard grate

Stainless steel grate 100 x 100 mm for laying tiles with straight joints.
Optional other grate designs. Grates are rotated.
Coloured surfaces on request.

Tile thicknesses > 8 mm:

Other tile thicknesses pose no problem with our top frame.
Extendable each time by 7 mm as you wish, you can reach any required usual height.



PLANO X

Basic Board – Intelligent solutions for floor-level shower areas

Material:

Extruded polystyrene foam

Drain system:

ABS, DN 50, horizontal or vertical,
 Drain top insulated at factory in
 substructure element, 0.8 l/sec.
 Top section with stainless steel
 grate, rotatable. Grate size 100 x
 100 mm,
 Five different designs are possible

Sound insulation:

Insulation strips 8 mm,
 standardised at the factory
 Special coating on both sides,
 immediately tileable, mounted on
 the sides adjacent to the wall

Wall sealing tape:

Flexible wall sealing strip for
 incorporation in the tape sealing,
 factory-standardised
 mounting on the sides adjacent to
 the wall (on request)

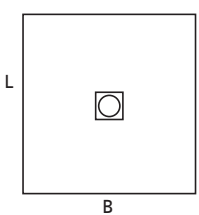
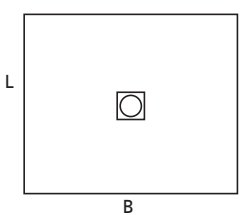
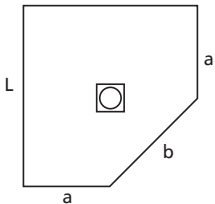
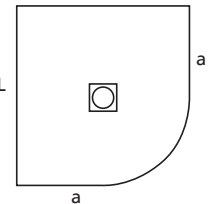
Impact sound insulation:

Rubber granules 10 mm, applied
 at the factory, improvement value
 22 dB (on request)

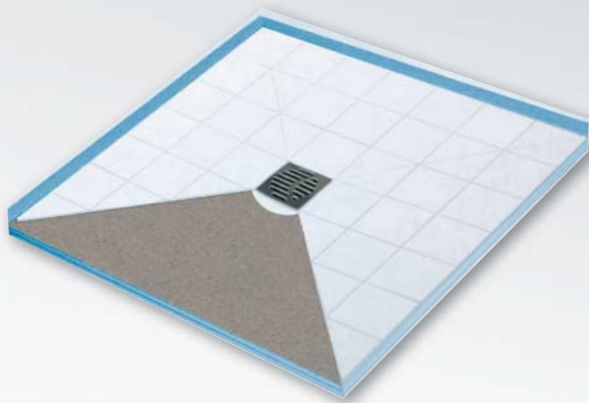
Special shapes:

Planopor Basic Board can also
 be prepared to fit moulded tiles.
 Special fabrications done on
 request

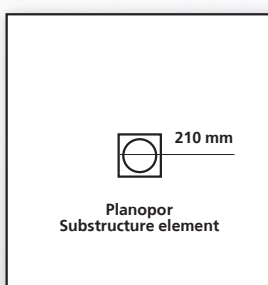
Design

<p>Square</p> 	<p>Size in mm (L x W x H)</p> <ul style="list-style-type: none"> 800 x 800 x 40 900 x 900 x 40 1000 x 1000 x 40 1200 x 1200 x 40 1500 x 1500 x 40 	<p>Rectangle</p> 	<p>Size in mm (L x W x H)</p> <ul style="list-style-type: none"> 900 x 750 x 40 900 x 800 x 40 1000 x 800 x 40 1000 x 900 x 40 1200 x 800 x 40 1200 x 900 x 40 1200 x 1008 x 40
<p>Pentagon</p> 	<p>Size in mm (L x W x H)</p> <ul style="list-style-type: none"> 900 x 900 x 40 1000 x 1000 x 40 	<p>Quadrant</p> 	<p>Size in mm (L x W x H)</p> <ul style="list-style-type: none"> 900 x 900 x 40 1000 x 1000 x 40 <p>Special dimensions on request up to max. 2500 mm</p>

PLANOBASIC



Accessories



Planopor Substructure element
Substructure block for height compensation under the Planobasic made of Styrofoam. Double-side special coating, with drain recess made at the factory. Available for all the above-mentioned sizes.
Material thicknesses:
20, 30, 40, 50, 60, 80 mm

Planopor flooring board NF
For connecting Planobasic. Enables waterproof, dry construction of floors. Equipped with tongue and groove, a simple, fast and secure processing is guaranteed.
Size (L x W x H):
1250 x 600 x 40 mm, With impact sound insulation of 50 mm

PLANO X

Planoline – For large format coverings with integrated slope

Surface:

can be applied at the factory:
Mineral casting, HighTec, Nature

Drain system:

Channel made of stainless steel with odour trap, outlet DN 50 horizontal, 0.5 l/sec., insulated at the factory in the substructure element.

Grate sizes 800, 900, 1100, 1200 mm
Grate design polished stainless steel.

Material:

Extruded polystyrene hard foam special coating on both sides, immediately tileable

Wall sealing:

Insulation strips 8 mm, optionally factory-mounted on the sides adjacent to the wall
Flexible wall sealing strip for integration in the wall sealing, optionally integrated on the sides adjacent to the wall

Impact sound insulation:

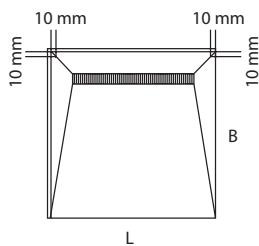
Optionally, rubber granules 10 mm, applied at the factory, improvement value about 22 dB

Special shapes:

Other dimensions on request.
Different position of the channel possible.
Alternatively:
5 grates to choose from (see illustration)

Design

Square

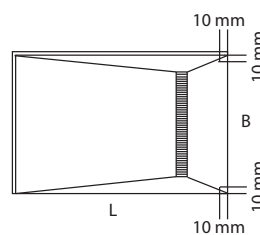


Dimensions in mm
(L x W x H)

800 x 800 x 40	300
900 x 900 x 40	300
1000 x 1000 x 40	300
1200 x 1200 x 40	300

Grate size:

Rectangle



Dimensions in mm
(L x W x H)

900 x 800 x 40	300
1000 x 800 x 40	300
1200 x 800 x 40	300
1200 x 900 x 40	300

Grate size:

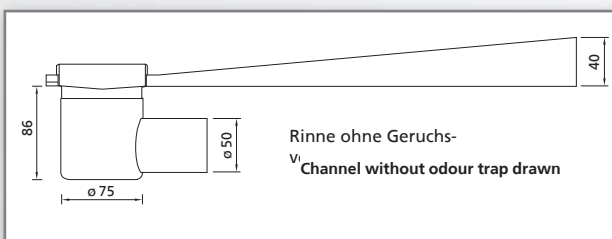
PLANOLINE



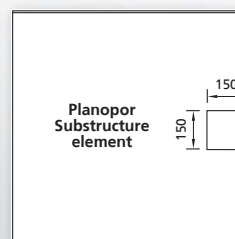
Designer grates



Planoline section



Accessories



Planopor Substructure element

Substructure block for height compensation under Planoline in Styrofoam. Special coating on both sides, with for all above-mentioned sizes.

Material thicknesses: 20, 30, 40, 50, 60 and 80 mm

PLANO X

Basic Board – Intelligent solutions for floor-level shower areas



Floor level shower elements

- barrier-free
- Versatile decors
- wheelchair-accessible
- Secure standing
- Point or channel drain
- Integrated sound insulation
- 100% sealed surface
- Can be shortened on site for adaptation to the construction site conditions
- Special sizes and special production possible
- Low construction height
- Integrated thermal insulation
- Fire protection according to DIN
- Simple, time-saving and clean assembly



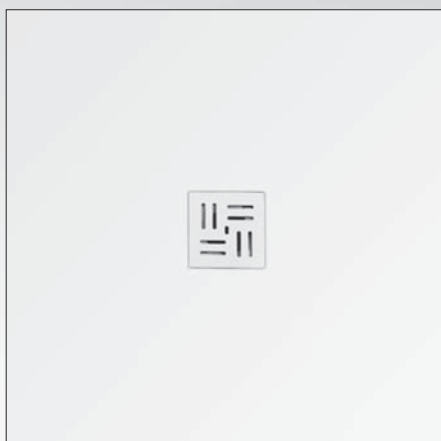
The boards are available with point drainage.

With point drainage, which is usually placed in the middle of the shower element, the drain moves into the focus of design.

The standard drain with a diameter of 90 mm can be used for point drainage.

PLANOSTYLE

Point drainage



Special formats on request

SQUARE

Dimensions (in mm L x W x H)

800 x 800 x 30
900 x 900 x 30
1000 x 1000 x 30
1200 x 1200 x 30
1500 x 1500 x 30

RECTANGLE

Dimensions (in mm L x W x H)

900 x 750 x 30
900 x 800 x 30
1000 x 800 x 30
1000 x 900 x 30
1200 x 800 x 30
1200 x 900 x 30
1200 x 1000 x 30
1700 x 750 x 30

PLANO X

Basic Board – Intelligent solutions for floor-level shower areas

Floor level shower elements with three different surface structures

Ergo+ by COSSOLID

burda Ergo+ has a vinyl surface that is even resistant to aggressive cleaning agents. Due to the low weight, the wall and floor plates are easy to install. The surface can be cold-welded so that a visually appealing, resilient, silicone-free and waterproof connection is possible.

Thanks to the addition of nanosilver particles, bacteria and mould have no chance and the surface thus meets the highest hygiene requirements.

Furthermore it meets the strictest anti-slip requirements according to the EN 51097 standard and has a warm, soft feel. And in addition, Ergo+ offers very good resistance to the penetration of hair dyes and other aggressive substances.



White



Anthrazit



Beige-Grey

PLANOSTYLE

HPL by COSSOLID

burda HPL is made of high pressure laminate, which ensures excellent impact resistance. It is resistant to chemical and aggressive substances and complies with the EN 438 standard.

Due to its particularly low weight, the wall and floor plates are easy to install. HPL has proven itself for decades as a pore-free surface and can be found in almost every house as a floor or kitchen worktop, so that the highest hygiene requirements are met.

burda HPL is available with various surface structures that increase safety through their anti-slip effects - paired with a warm, soft feel, it thus perfectly combines comfort and safety.

Mineral Cast Look by COSSOLID

burda Mineral Cast Look has a matt acrylic surface and is resistant to aggressive cleaning agents.

Due to its particularly low weight, the wall and floor panels are easy to install.

Since the surface of Mineral Cast Look is completely free of pores, the conditions for perfect hygiene are also given here. The matt finish provides a stylish, timeless design.



White



Anthrazit



Lava



Concrete Look



Weiß

CUCCOO

Built-in furniture for wall installation





CUCCOO the bathroom furniture series with smart space-saving solutions

- Can be installed in the front wall
- Extensive design selection
- Variety of cabinet sizes and formats
- Also combinable with front wall systems of other manufacturers

CUCCOO

Built-in furniture for wall installation

In a surprisingly elegant way, the cuccoo bathroom furniture series create extra storage space for all those things that need to find a discreet place in a tidy bathroom. They can not only be mounted on a wall, but also inserted in unused cavities of a front wall installation. Only glass doors, double mirror or wood finish are visible then.



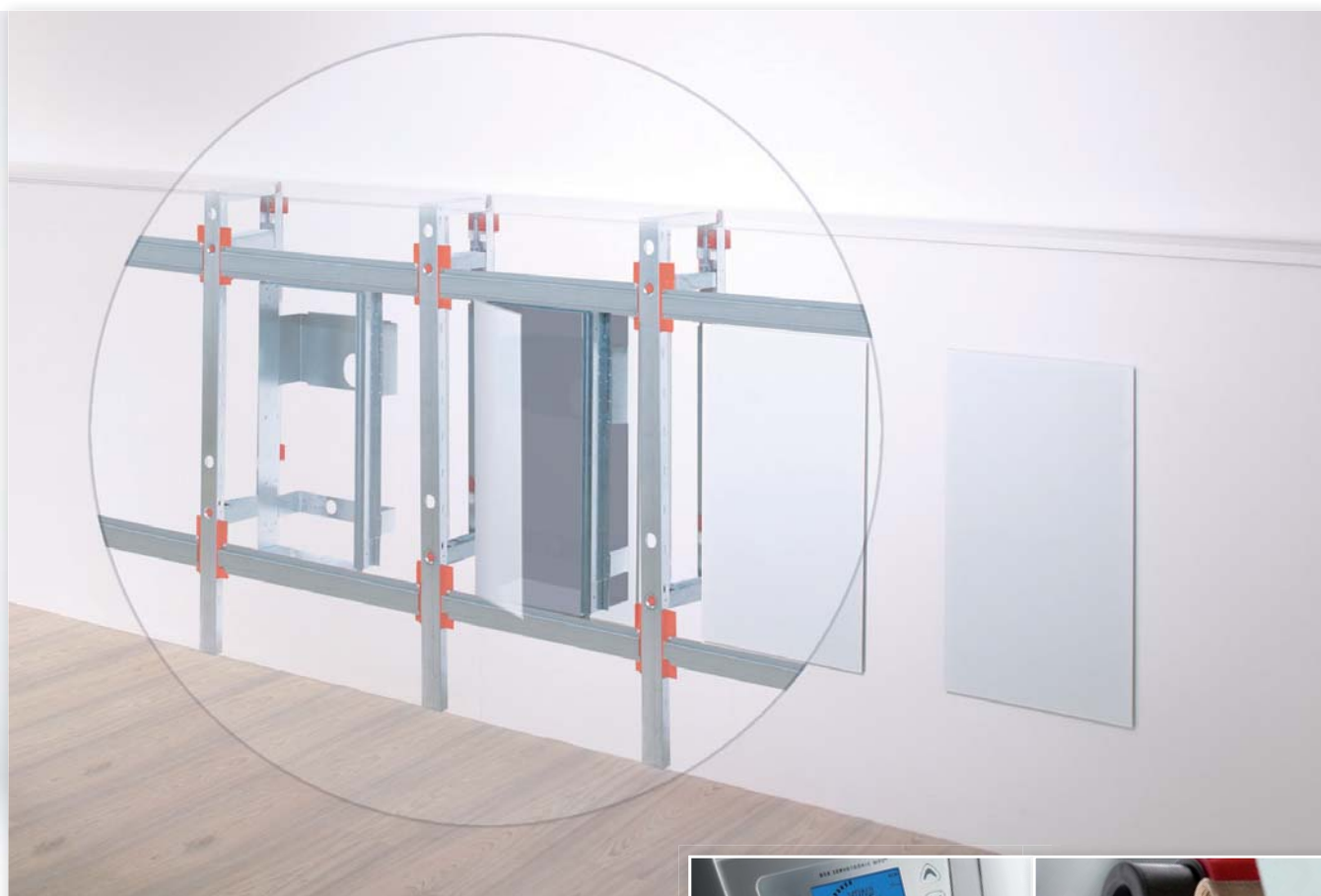


Indispensable things that would disturb the overall picture in the aesthetics disappear discreetly behind the wall.

For example, the built-in cabinet with integrated toilet brush set provides extra space for spare toilet paper rolls.

CUCCOO

Built-in furniture for wall installation



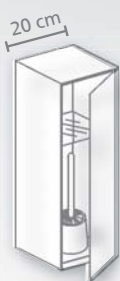
Embedded flush with the wall, the furniture body disappears into the so-called front wall, a hollow wall projection, which the installer needed there to install pipes and connections as well as flush-mounted cisterns and instantaneous water heaters.

A front wall installation is a very clean and fast method because the specialist plumbers don't need mortise slots in existing walls for water pipes here.

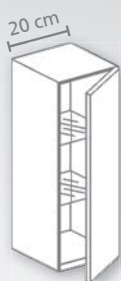
The front wall is made using Burda SANTRO, an industrially pre-fabricated installation system consisting of support frames and plasterboards that are fitted in front of the bathroom's masonry wall.

Thanks to Burda cuccoo, pipes can be laid and discreet storage space gained in this concealed cavity between masonry and the artificial wall. In addition, the built-in cabinets offer the further advantage of extra inspection openings: As the cabinets can be easily removed, the installer now also has a possibility later to reach the cables and components laid behind the tiles without having to knock off the same.

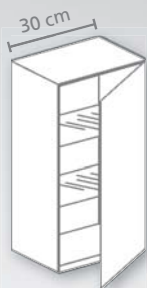
Cabinet sizes/formats



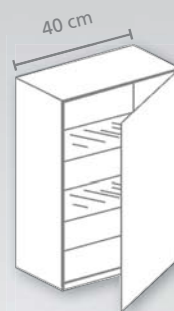
20 x 60 x 19 cm



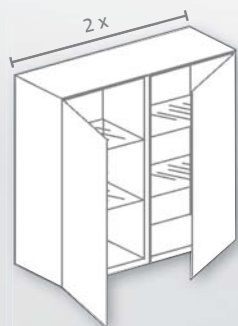
20 x 60 x 19 cm



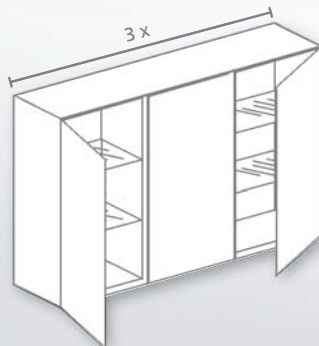
30 x 60 x 19 cm



40 x 60 x 19 cm



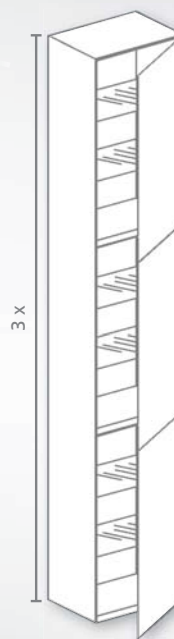
60 x 60 x 19 cm



90 x 60 x 19 cm



30 x 120 x 19 cm



30 x 180 x 19 cm

CUCCOO

Built-in furniture for wall installation

Built-in furniture
prepared for a flow heater



Built-in furniture
e. g. with a toilet brush



Design features

Door and carcass décors

The above materials and wood finishes are available for doors.

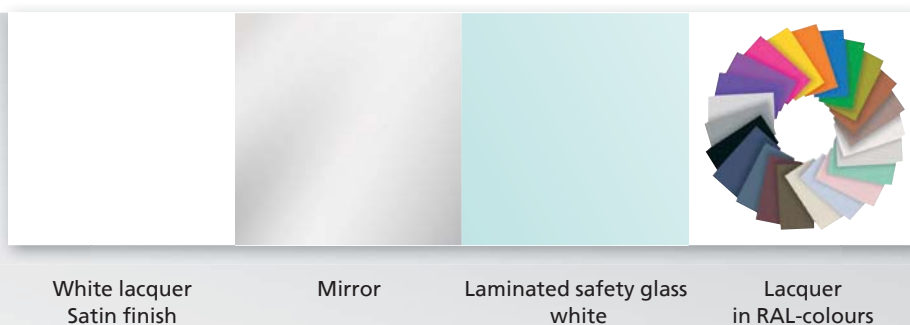
Please note that the pattern printed here may not match the actual colours and finishes due to technical reasons. Therefore, get your installer or interior designer to show you the original materials and decorative patterns.



The handle-less glass or double mirror doors made of laminated safety glass (LSG) have glued special tapes.

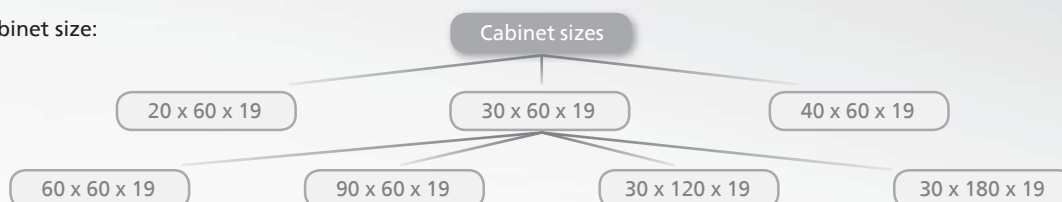


The handle-less doors in lacquer or wood finish are supplied with cushioned concealed hinges that ensure a soft closing of the door.

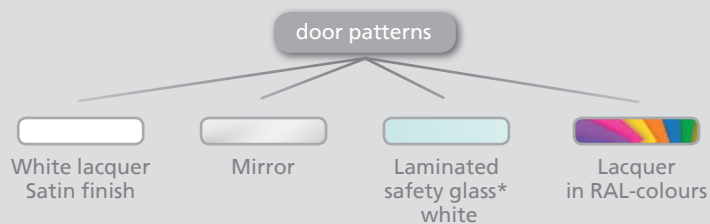


This is how you put together your cabinet ...

1. First, select the cabinet size:



2. Select the door finish:



* LSG glass not available for cabinet with toilet brush

Note: An adapter is not needed when using the Burda system SANTRO.

All other systems require, depending on the design of the cabinet, one of the following adapters:

50 CW profile, Geberit GIS*, Viega Steptec*, TECEprofile*, MEPA Varivit*

*Registered trademarks of each previously mentioned company

BUTTONS

and contactless flushing systems





Buttons and flushing systems

- Large selection of flush buttons
- Hygiene benefit by contactless flushing systems
- Visually appealing design choice

BUTTONS

and contactless flushing systems

Due to the large selection of flush buttons, a custom bathroom design can be implemented in detail. Whereas the installation is concealed behind the wall, the flush buttons provide a way to create visual highlights besides the functionality.

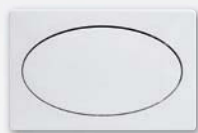
Burda flush buttons

Flush button T610



For concealed cistern K610
White
Polished chrome finish
Matt chrome finish

Flush button T611



For concealed cistern K610
White
Polished chrome finish
Matt chrome finish
Stainless steel

Flush button T620



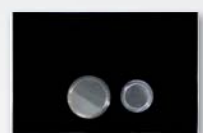
For concealed cistern K610
White, stainless steel finish
White / Matt chrome finish
White / polished chrome finish
Gloss finish / polished chrome
Matt finish / Matt chrome
Polished chrome finish / white

Flush button T630



For concealed cistern K610
Cherry wood, beech wood
White glass, green glass
Black glass
Black granite
Slate-grey

Flush button T640



For concealed cistern K610
Cherry wood, beech wood
White glass, green glass
Black glass
Black granite
Slate-grey

Flush button T752



For concealed cistern K750
White
Matt chrome finish

Flush button T753



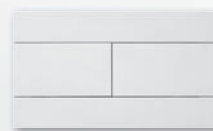
For concealed cistern K750
White
Matt chrome finish

Flush button T760



For concealed cistern K750
White
Polished chrome finish
Matt chrome finish

Flush button T770



For concealed cistern K750
White
Polished chrome finish
Matt chrome finish

Flush button T780



For concealed cistern K750
Polished chrome finish
Matt chrome finish

Flush button T781



For concealed cistern K750
Polished chrome finish
Matt chrome finish

Flush button T901



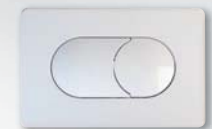
For concealed cistern K609
White

Flush button T902



For concealed cistern K609
White

Flush button T921



For flush-mounted cistern
K921, K951, K961
White
Polished chrome finish

Burda flush buttons

Betätigungstaste T784



For concealed cistern K770/845
White / pol. chrome / white
pol.-/matt-/pol. chrome
Black / pol. chrome / black
matt-/pol.-/matt chrom

Betätigungstaste T785



For concealed cistern K770/845
Stainless steel
pol. Stainless steel

Betätigungstaste T787



For concealed cistern K770/845
White / pol. chrome / white
pol.-/matt-/pol. chrome
Black / pol. chrome / black
matt-/pol.-/matt chrome

Betätigungstaste T788



For concealed cistern K770/845
White / pol. chrome / white
Black / pol. chrome / black

Betätigungstaste T790



For concealed cistern K770/845
White, Black, matt chrome,
pol. chrome

Betätigungstaste T791



For concealed cistern K770/845
White / pol. chrome / white
pol.-/matt-/pol. chrome
Black / pol. chrome / black
matt-/pol.-/matt chrom

Betätigungstaste T795



For concealed cistern K770/845
White, Black, matt chrome,
pol. chrome

Betätigungstaste T798



For concealed cistern K770/845
White, Black, matt chrome,
pol. chrome

BUTTONS

and contactless flushing systems

Geberit flush buttons

Flush button Mambo



For concealed cistern Sigma
Stainless steel

Flush button Sigma01



For concealed cistern Sigma
White
Polished chrome finish
Matt chrome finish

Flush button Sigma10



For concealed cistern Sigma
White / pol. chrome / white
Black / pol. chrome / black
White / satin finish chrome /
s. chrome
and much more

Flush button Sigma20



For concealed cistern Sigma
White / pol. chrome / white
Black / pol. chrome / black
White / satin finish chrome /
s. chrome
and much more

Flush button Sigma21



For concealed cistern Sigma
Plate und button: white
Plate und button: black
Platte und Tasten: sand
Designringe immer: hgl. chrom

Flush button Sigma30



For concealed cistern Sigma
White / pol. chrome / white
Black / pol. chrome / black
White / satin finish chrome /
s. chrome
and much more

Flush button Sigma50



For concealed cistern Sigma
Plastic white alpine/pol.
chrome/ brushed chrome
Black plastic RAL 9005/
Pol. chrome / brushed chrome
Frosted glass green satin /
Satin finish chrome and much
more

Flush button Sigma60
Frame



For concealed cistern Sigma
Brushed chrome

Flush button Sigma 70



For concealed cistern Sigma
Brushed Stainless steel

Insert for in-cistern block



For concealed cistern Sigma
for Sigma01
for Sigma10
for Sigma20
for Sigma50

Flush button Omega20



For flush-mounted cistern Omega
White / pol. chrome / white
Black / pol. chrome / black
White/satin finish chrome/s. chrome
and much more

Flush button Omega30



For flush-mounted cistern Omega
White / pol. chrome / white
Black / pol. chrome / black
White/satin finish chrome/s. chrome
and much more

Flush button Omega60



For flush-mounted cistern Omega
White glass
Black glass
brushed chrome
and much more

Cover plate Omega



For flush-mounted cistern Omega
customer-specific
glass white

Flush button Delta11



For flush-mounted cistern Delta
White
Matt chrome finish

Flush button Delta15



For flush-mounted cistern Delta
Stainless steel

Flush button Delta21



For flush-mounted cistern Delta
White
Matt chrome finish

Flush button Delta50



For flush-mounted cistern Delta
White
Matt chrome finish

Flush button Delta51



For flush-mounted cistern Delta
White
Matt chrome finish

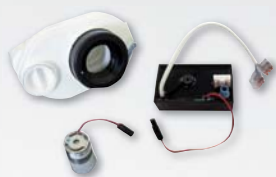
Contactless flushing systems

Functionality and aesthetics are perfectly coordinated in the BurdaTronic line

A specific health benefit is provided by the contactless flushing systems, especially in public areas. They reduce the risk of infection, work to conserve water and are also indispensable in barrier-free extension.

Contactless urinal controls

Burda Flowtronic



Microprocessor-controlled
Electronics box

BurdaTronic U-01



Opto-electronics,
230 V Brushed stainless steel

BurdaTronic U-02



Opto-electronics,
9 V Brushed stainless steel

BurdaTronic U-03



Set for final installation, 230V
For siphon control

BurdaTronic U-04



230 V matt chrome finish
230 V white
9 V matt chrome finish
9 V white

BurdaTronic U-06



White / chrome glass
White glass
Black glass
Stainless steel
Chrome finish
White

BurdaTronic U-09

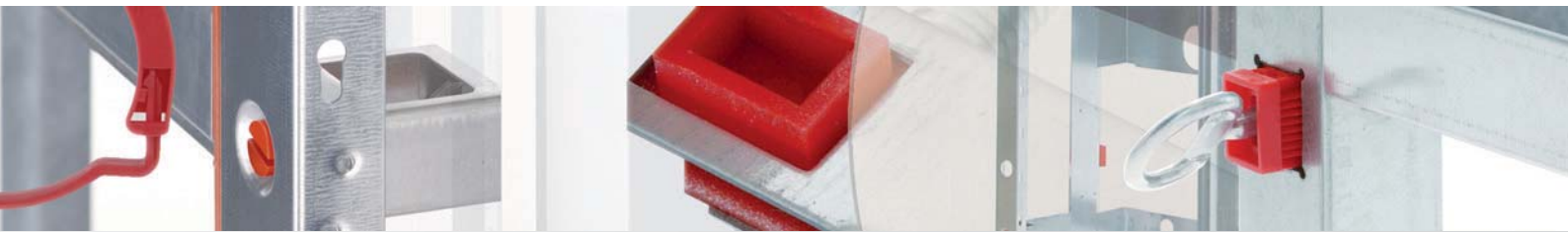


Stainless steel

SANTRO

Front wall installation





Santro

For the pre installed front wall installation

For the basic configuration of small and large bathrooms

For renovation or reconfiguration

- Quick and easy installation
 - Simple planning (only one item)
 - Neat (no dirt / debris / walls)
-
- Front wall system with planking up to 125 cm width (including all standard openings)
 - No levelling
 - Immediately tileable surface
 - Ready-planked modules
 - Fulfills all the requirements for VDI 4100
 - Increased noise protection according to DIN 4109 (complete front wall acoustically insulated)
 - Fulfills fire protection standard DIN 4102
 - More storage space made possible by built-in furniture

All toilets
compatible with Duravit Sensowash®

Geberit flush-mounted cisterns
Compatible with Geberit AquaClean

SANTRO

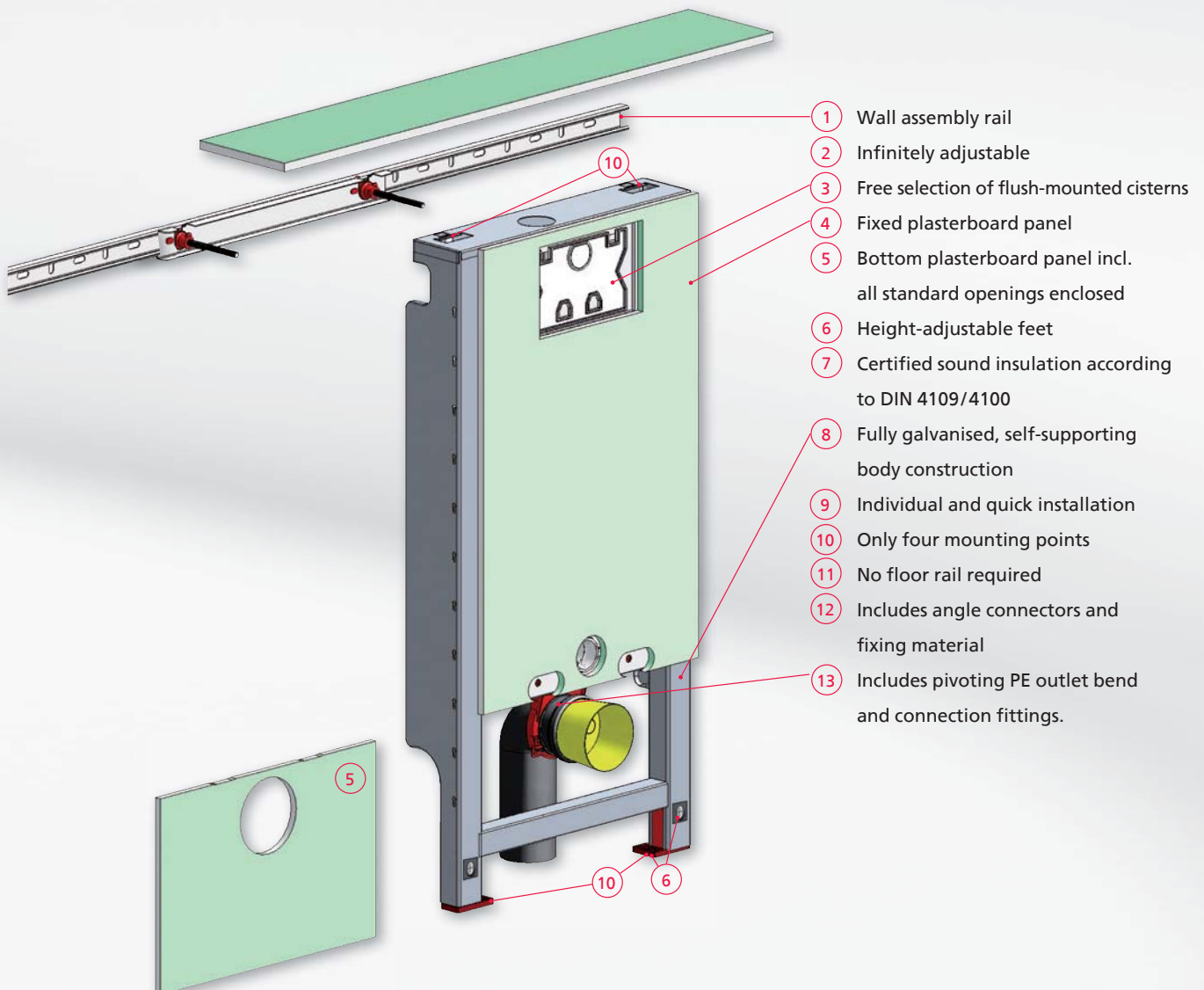
Front wall installation

Completely drawn out of one carton

The advantages are obvious with the delivery of the SANTRO system. The system with its ready-made basic elements - modules, subcarriers, nest elements and fitting panels - is delivered with all the accessories in one box. They are all designed in such a way

that a smooth and fast installation is possible. The modules contain the sanitary fittings. They consist of a self-supporting, galvanised, torsionally rigid and soundproof steel body.

Point by point: The advantages of the SANTRO System



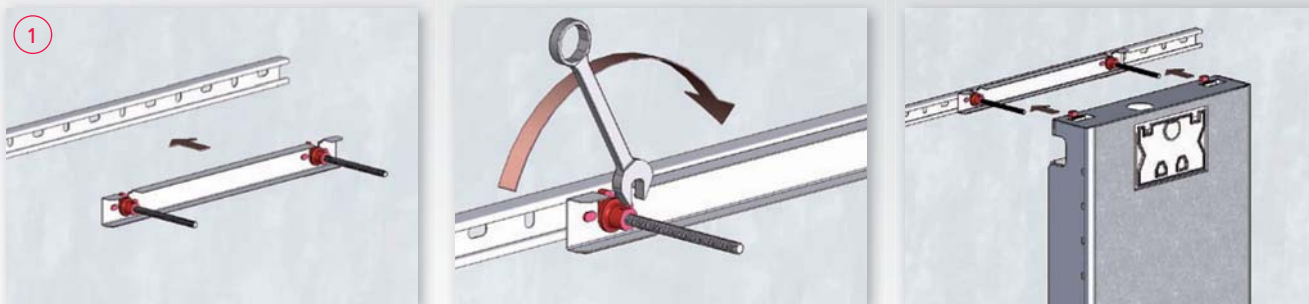
Prefabricated parts to save time

It is clear from the assembly instructions seen below, how quickly you can reach your goal with the prefabricated parts of SANTRO. The work made easy for you and your customers.

Quick fasteners and the supplied tool will not only speed up, but also facilitate the work processes during installation.

Easy, quick installation

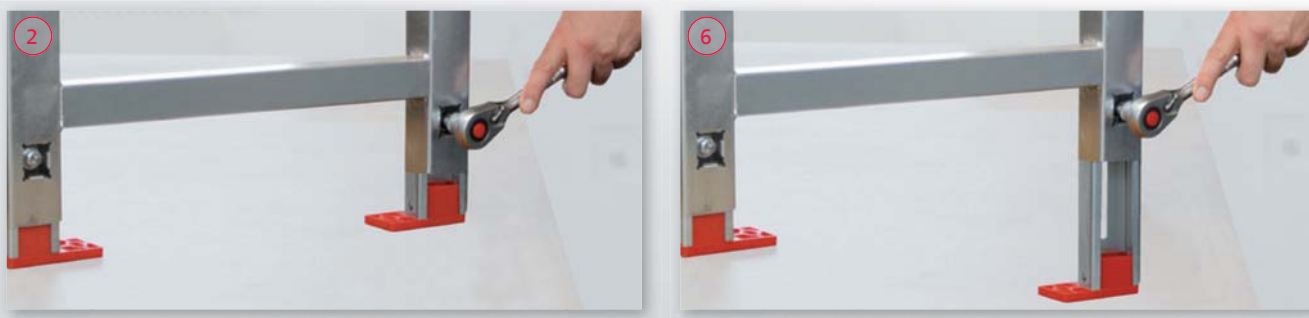
Fit suspension rail using guide bolt and size 17 open-ended spanner. Thereafter move the module using the threaded rods.



Align the distance of the module from the wall and fix it with quick release.



For infinite height adjustment loosen screw using a ratchet spanner.



SANTRO

Front wall installation

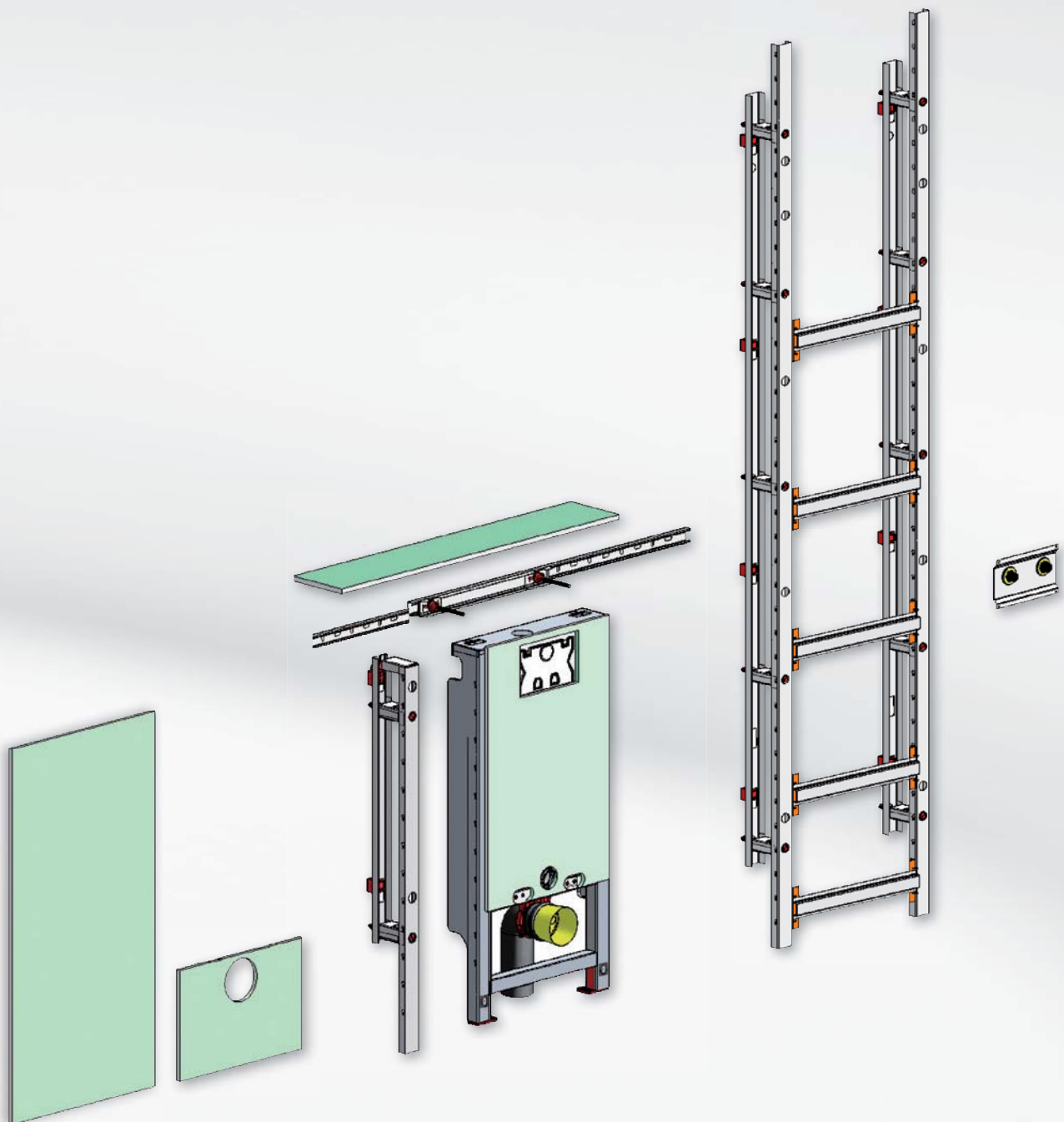
With SANTRO you save time and reduce costs and dirt-intensive construction works.

With SANTRO, standard bathrooms can be transformed into custom bathrooms with little effort. The options are designed to provide versatility and individuality. The new bathroom design is implemented within just a few working days.

SANTRO naturally complies with the requirements of VDI 4100, the noise standard DIN 4109 and the fire protection standard DIN 4102. A further advantage is the clear guarantee.

Each trade comes only once to the work site. This is as simple and user-oriented as it gets.

In contrast to the traditional wet expansion method with the cumbersome and time-consuming slot installation and the associated rebricking, the burda system appeals with less dirt, sound and debris. The downtimes of sanitary facilities are kept to a minimum.



With the SANTRO module system, you can always score points with your customers.

Whether toilet, urinal or wash-stand, the industrially prefabricated Santro module system planked with a tile-finish surface made of plasterboard, is always the right choice at work sites where dry construction is not an option. In addition, the product line includes all relevant items for barrier-free building. Here too, a wide range of products, e.g. with urinal electronics,

water meters and even a separate bathroom furniture range for wall installation are available to the installers and planners. For all burda Santro modules, the installer can freely choose between cisterns or flush-mounted objects of different brands and even determine the connection type that should be delivered with the element.

Plus points of our toilet modules:

- Free selection of flush-mounted cisterns, inter alia, Geberit, Grohe and so on.
- Special modules for the disabled and public areas in our product range
- Height adjustable feet
- Certified sound insulation according to DIN 4109/4100
- A single-layer covering with 12.5 firecheck plasterboard structural panels
- Already pre-assembled plasterboard panel
- Lower plasterboard panel including all standard openings enclosed



Plus points for our wash-stand modules:

- Universal wash-stand fixing area
- Sound-insulated, pre-assembled wall plates
- Special modules for the disabled and public areas in our product range
- Height adjustable feet
- Certified sound insulation according to DIN 4109/4100
- A single-layer covering with 12.5 firecheck plasterboard structural panels
- Already pre-assembled plasterboard panel
- Lower plasterboard panel including all standard openings enclosed



Plus points of our urinal modules:

- Different versions can be selected: e.g. flush valve, infra-red and siphon control
- Height adjustable feet
- Certified sound insulation according to DIN 4109/4100
- A single-layer covering with 12.5 firecheck plasterboard structural panels
- Already pre-assembled plasterboard panel
- Lower plasterboard panel including all standard openings enclosed
- With suction siphon and connection set



SANTRO

Front wall installation

With SANTRO bathroom planning is made easy and a rapid implementation is guaranteed

The module system of SANTRO facilitates the work of planners by an intuitive modular system that adapts easily to different spatial situations.

The overview shown below helps to calculate the material needs quickly and avoid unnecessary delays.

The 4 basic elements of SANTRO

Module

1



Modules are suitable for fitting the ceramic sanitary body of toilets, wash-stands, bidets and urinals. They consist of a self-supporting, galvanised steel body and contain all connections and flushing devices. All the necessary standard openings and boreholes are included in the supplied GKFI fire-check panel.

Subcarrier

2



With **subcarriers**, the front can be designed and the storage surfaces can be extended individually as you desire. They are required for fitting the remaining planking at the beginning and end of the extension line, for individual extension along the bathtub, or to cover supply lines as well as to stabilise, when the distance between two modules is more than 600 mm.

Nest elements

3



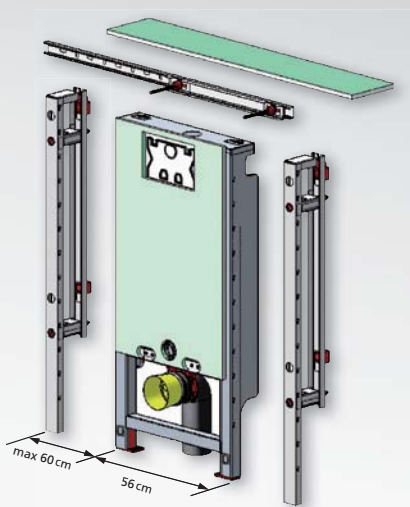
The **nest element** comprises two side panels and two spacer rails, each 3 metres in length. The side panels are cut to room height. The width of the nest element can be freely determined by cutting the spacer rails to length. The nest element is used to fit supply pipes and fitting panels for shower or tub, but can also be used for the visual design of the bathroom.

Fitting panels

4



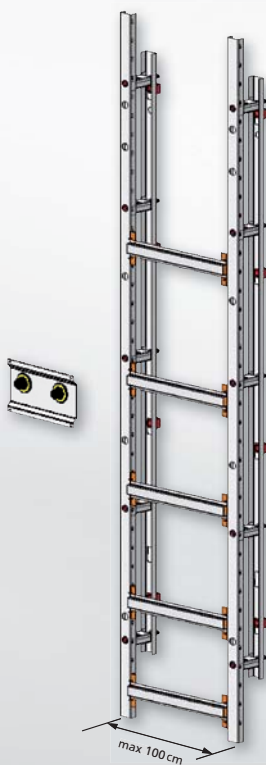
The **fitting panels** – to fit flush-mounted and surface-mounted fixtures - are mounted with spacer rails in the area of the nest element or the subcarrier. All wall plates are acoustically insulated. They are included in the delivery.



Material requirement for the front wall installation of **SANTRO**

SANTRO selection table, installation height 108 cm

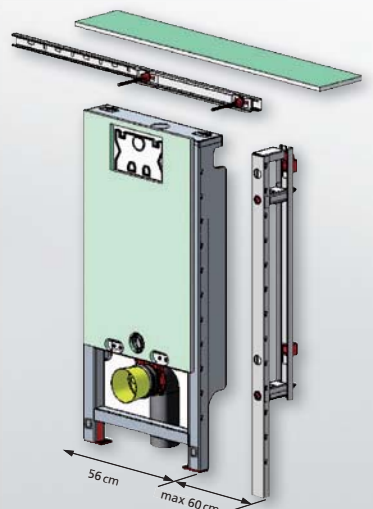
Num. Module	Front wall width up to 108 cm	up to 160 cm	up to 220 cm	up to 280 cm	up to 340 cm
0	3 subcarrier 3 panels	4 subcarrier 4 panels	5 subcarrier 5 panels	6 subcarrier 6 panels	7 subcarrier 7 panels
1	2 subcarrier 1 panels	2 subcarrier 3 panels	3 subcarrier 3 panels	4 subcarrier 4 panels	5 subcarrier 5 panels
2		2 subcarrier 2 panels	2 subcarrier 3 panels	2 subcarrier 3 panels	4 subcarrier 4 panels
3			2 subcarrier 2 panels	2 subcarrier 3 panels	2 subcarrier 3 panels



Material requirement for the front wall installation of **SANTRO** with nest element for pipelines, shower or bathtub

SANTRO selection table

Num. Module	Front wall width up to 120-260 cm	up to 220-360 cm
1	2 subcarrier 1 nest element 7 panels	3 subcarrier 1 nest element 8 panels
2		2 subcarrier 1 nest element 8 panels



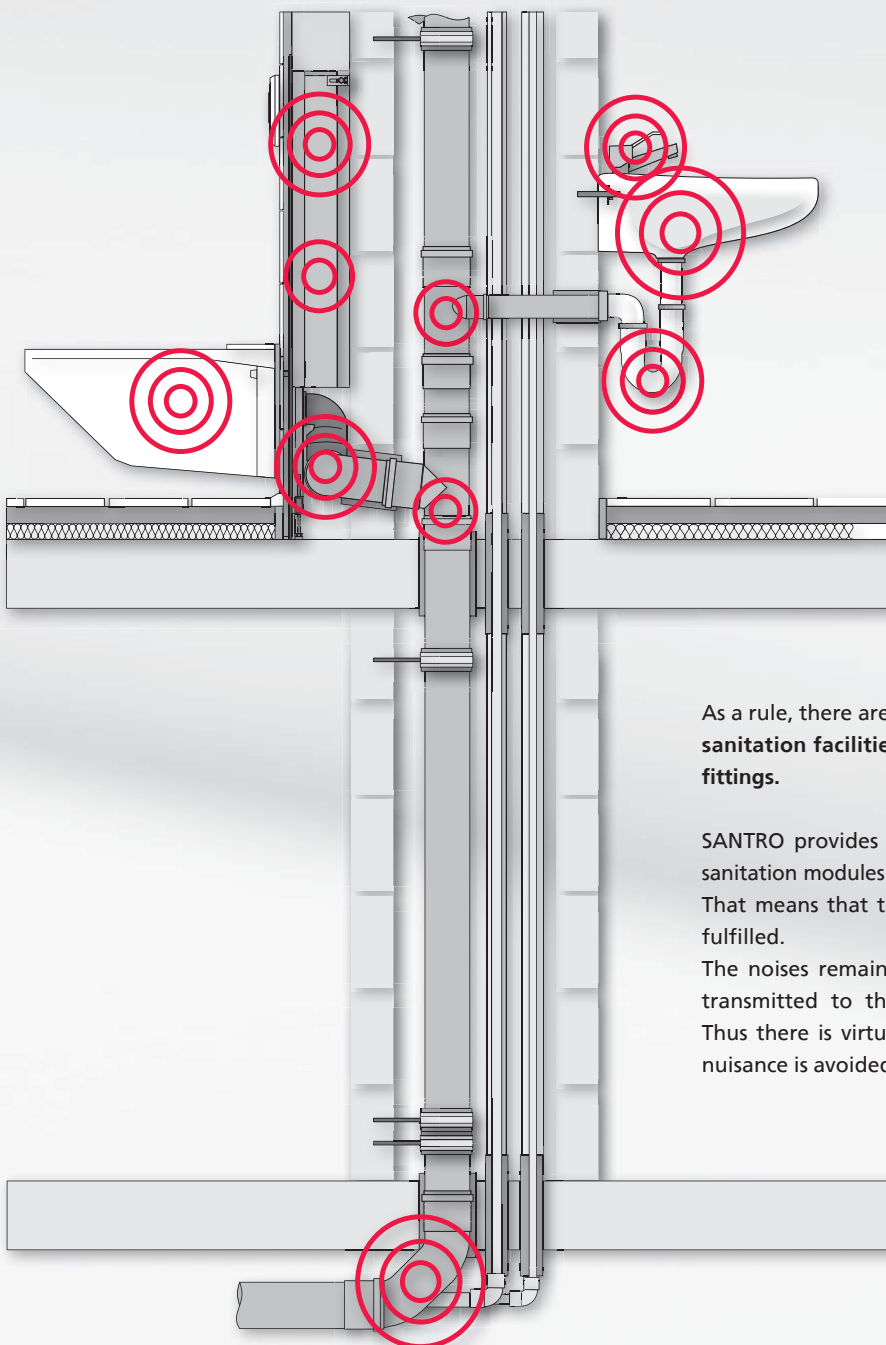
SANTRO

Front wall installation

With SANTRO, the sound protection requirements are met.

SANTRO front wall installations meet the requirements of DIN 4109. Appropriate measures against noise pollution gain more and more importance particularly in residential construction. Therefore the subject of soundproofing is becoming increasingly important. For your customers, it goes without saying

that the stipulated standards are met in the redesigning. Because noise at home disturbs the neighbours as well to a significant degree. For them, the noise is perceived as a disturbance of the peace. Lack of sound insulation leads to the deterioration of quality of life and housing.



Sound insulation
DIN 4109

As a rule, there are three main causes for a possible noise level: **sanitation facilities, water and sewage pipes and sanitation fittings.**

SANTRO provides high quality sound insulation. Thus all the sanitation modules are equipped with sound-insulated elements. That means that the requirements according to DIN 4109 are fulfilled.

The noises remain in the front wall installation and are not transmitted to the rear wall or to the building structure; Thus there is virtually no structure-borne noise. Thus, a noise nuisance is avoided in the adjoining rooms.

With SANTRO the regulations and directives are met.

The DIN 4109 has been introduced by the building authorities. This makes it applicable building law and covers the field of public law. An increased noise protection can also be agreed upon contractually according to Supplement 2 of DIN 4109. That would then be a civil agreement.

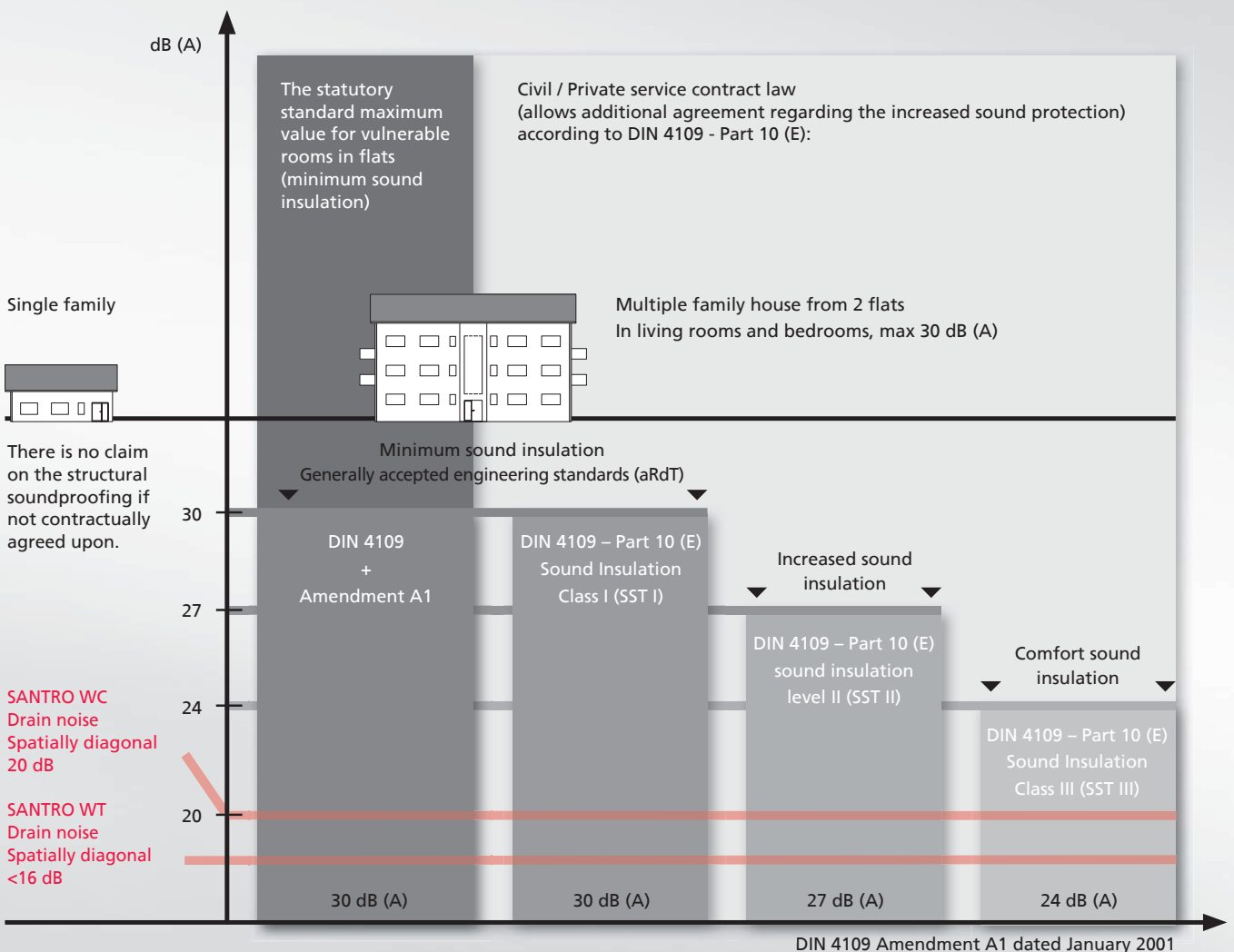
The requirements of DIN 4109 have been clarified and strengthened by court decisions. Lower noise levels are required on the grounds that it is just a minimum requirement according to DIN 4109.

Increased noise protection must always be complied with even if the builder offers flats in the luxury or comfort class or speaks of upgraded amenities.

In this case a detailed tender document is required. The same applies if the flat is in a quiet area. Noise from building installations must not exceed the background noise level of more than 10 dB (A) in Western countries, because otherwise the noise can have a disturbing effect.

The sound insulation in sanitary installations is thus achieved by general measures. For example, by:

- Floor plans favourable to building acoustics
- Coordination of all parties involved in construction
- Use of heavy installation walls
- Acoustically favourable structural designs by using front wall installations
- Fitting pipes so they are insulated from structure-borne noise



SANTRO

Front wall installation

SANTRO offers comprehensive assurance through certificates and standards.

No doubt you are familiar with the problem from your day to day work. According to DIN 1053 (brickwork), breaking and slotting work in supporting walls can only be carried out to a limited extent. Without statistical evidence, only bricked or milled slots are allowed:

The SANTRO front wall installation is so practically designed that these restrictions are ignored. As all modules belonging to the

SANTRO system are constructed so sturdily, they are supplied from the factory with a 12.5 mm thick firecheck plasterboard panel (plasterboard, core- the top panel is fitted at the factory, whereas the bottom one is supplied loose and comes with all the necessary apertures. Another benefit: The joints do not need filling. This saves your time and money. A double covering is not necessary.

The guidelines issued by BAKT Infotechnik, the German research group for dry construction, envisages a covering as follows:

"The covering of the walls and facing formwork generally consists of a double layer of plasterboard panels (2 x 12.5 mm) or one layer with a thickness of at least 20 mm. In these cases, the usual gaps between beams on the substructure (625 mm as a rule) can be maintained. In the case of single covering made of plasterboard panels with a thickness of less than 20 mm, however, the gap between beams should be reduced to 500 mm

and less in view of the ceramic cladding being attached later."

When using plasterboard panels (GKFI with a thickness of 12.5 mm, as used with SANTRO, a maximum beam distance of 50 x s (s = panel thickness) should be maintained.

This makes your work considerably easier. A single-layer covering with 12.5 firecheck plasterboard structural panels is adequate to insert a SANTRO subcarrier or a new module every 625 mm along the length of the front wall installation.

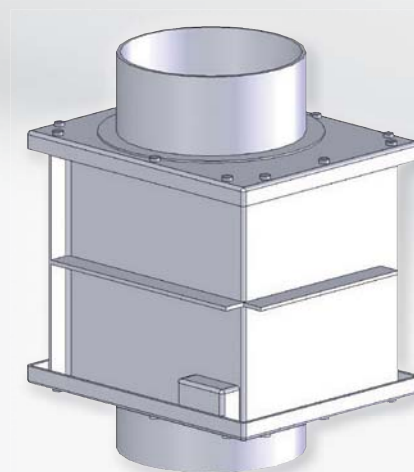
Wall thickness	Vertical slots Built		Milled		Horizontal and slanted slots	
	Depth	Width	Depth	Width	Depth	Height
1.5	–	–	1.0	10.0	–	
17.5	6.0	26.0	2.0	10.0	–	not
24.0	12.5	38.5	3.0	15.0	1.5	limited
30.0	12.5	38.5	3.0	20.0	2.0	
36.5	12.5	38.5	3.0	20.0	2.0	

Fire protection. Front wall installation and F90 requirement.

F90 with fire dampers. When F90 is specified and supply and waste lines made of flammable materials need to be fed through ceilings and floors, the F90 requirement is complied with most cost-effectively by using fire dampers. This replaces the need for costly claddings made of Ridurit or expensive fire protection elements.



Fire protection
DIN 4102



SANTRO meets all the requirements of barrier-free living.

SANTRO fulfills all claims even in this area. Whether wheelchair accessible construction in the private or public area - SANTRO meets the standards in wash-stand and toilet and allows rapid installation.

By the appropriate attachment set for arm lever, facilities for the disabled are easily possible in the bathroom. The DIN 18025 standard listed in excerpts below can be very easily and comprehensively implemented.

Wheelchair access »private«

Toilet: The seat height of the toilet bowl, including seat must be 48 cm. If necessary, a height adjustment must be made.

A movement area must be at least 95 cm wide and 70 cm deep on the left or right side of the toilet bowl. On one side of the toilet bowl, a distance of at least 30 cm must be maintained to the wall or to installations.

Wash-stand The wash-stand must be flat and accessible by wheelchair ; a flush-mounted or surface-mounted flat siphon must be provided.

The wash-stand must be fitted in the appropriate height for the needs of the user.

Sanitary fittings are to be provided as single-lever mixer taps with temperature limiter and pivoting spout.

The movement area in front of facilities in the sanitation room must be at least 150 cm wide and 150 cm deep. Movement areas can overlap.

»Accessible to the public«

Toilet: The seat height of the toilet bowl, including seat should be 48 cm.

Movement areas of at least 95 cm width and 70 cm depth must be provided to the left and right of the toilet bowls.

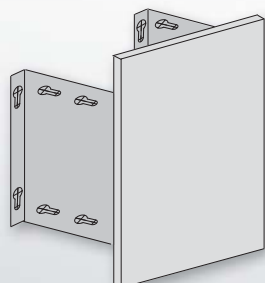
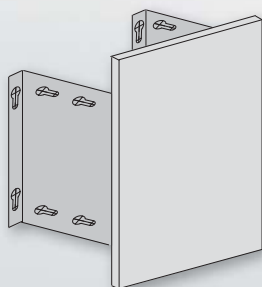
Foldable handles that protrude 15 cm above the front edge of the basin should be installed on each side of the toilet bowl, which lock automatically in the horizontal and vertical positions. The distance between the folding handles must be 70 cm, its height, 85 cm.

Wash-stand The wash-stand must be fully accessible by wheelchair ; a flush-mounted or surface-mounted flat siphon must be provided.

The upper edge of the wash-stand must be mounted at a maximum height of 80 cm. A knee clearance of 30 cm depth and at least 67 cm height must be provided.

In front of the wash-stand a movement area of at least 150 cm depth and 150 cm width must be provided.

(Extract from DIN 18025 standard)



SANTRO attachment set
for arm lever

»Accessible to all«

The wash-stand must be fully accessible by wheelchair ; a flush-mounted or surface-mounted flat siphon must be provided.

The movement area in front of facilities in the sanitary room must be at least 120 cm wide and 120 cm deep. Movement areas can overlap.

BS1

Dry construction installation system for subsequent planking





BS+

for installation in a stud wall
or as an individual element in a front-wall installation

- The elements consist of 48 mm wide profiles so they can be perfectly fitted in a size 50 plasterboard stud wall.
- By their generous profile width, the firecheck construction panels can be easily aligned flush and fitted with a comfortable distance from the edge - that provides additional safety, saves time and prevents chipping of material.
- Fitting the panels without pre-drilling
- Sound insulation integrated as standard (all plastic parts in red)
- Element feet can be pulled out 280 mm as standard
- High corrosion protection with Sendzimir galvanised elements
- 4 point mounting
- All common standards are met (e.g. DIN 4109, etc.)

All toilets
compatible with Duravit Sensowash®

Geberit flush-mounted cisterns
Compatible with Geberit AquaClean

BS+

Dry construction installation system for subsequent planking



WC element



WC element 82.5



WC element
80 mm height adjustable
after tiling



Barrier-free toilet
with wooden plate right
for folding support handles



Barrier-free toilet
with wooden plate right
for folding support handles



Element for
wall spout basin
Keramag Espital

BS+

The BS+ installation range is the universally applicable, industrially prefabricated element system for stud wall and front wall installation.

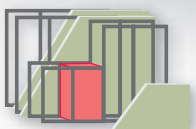
This extensive range includes elements for toilets, urinals, bidets and wash-stands, as well as the appropriate elements for barrier-free construction.

Prefabricated elements are also available for special applications such as surface-mounted wash-stands with wall fittings, water meters or urinal electronic systems.

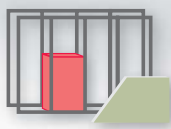
With all units the fitter is free to choose between cisterns from various brand manufacturers and decide for himself what type of pre-fitted connection should be supplied with the element.

Advantages

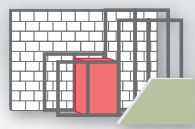
- More stability through stronger profiles
- Low noise through complete sound-insulation
- Exact fit for drywall profile, as the BS + Plus profile is 48 mm wide.



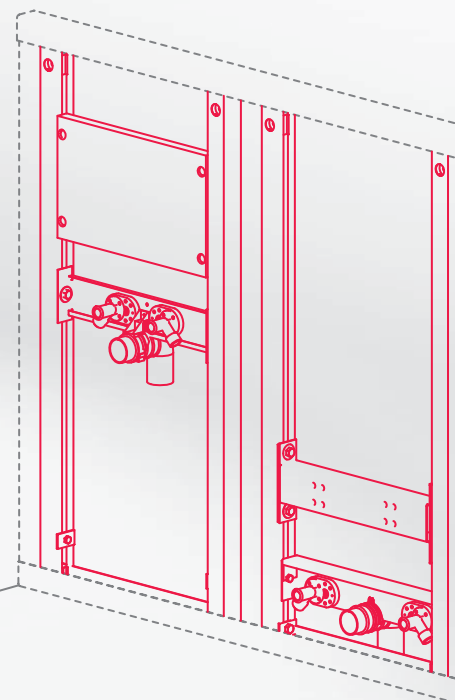
In front of stud wall



In stud wall



In front of solid wall



**MANY GERMAN
CISTERNBRANDS
AVAILABLE**



Bidet element



Barrier-free WT



Barrier-free WT
Wooden plate right



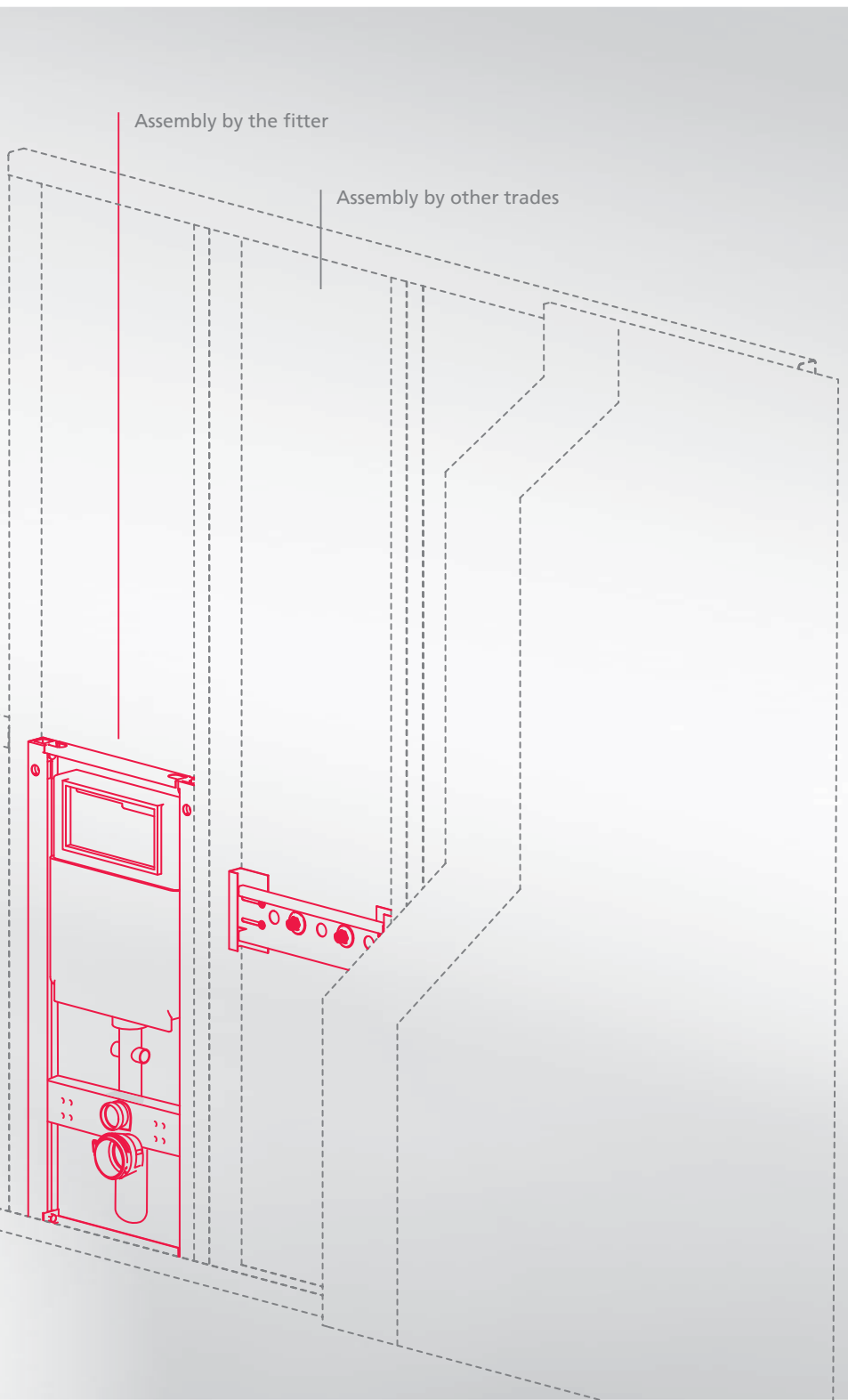
WT-Element
for water meter





Surface-mounted
fitting element





Furniture element




- 

For subsequent planking
- 

Sound insulation
DIN 4109
- 

Choice of
connections
- 

Material turnover
- 

DVGW standard

BSI

Dry construction installation system for subsequent planking

Diversity is our strength

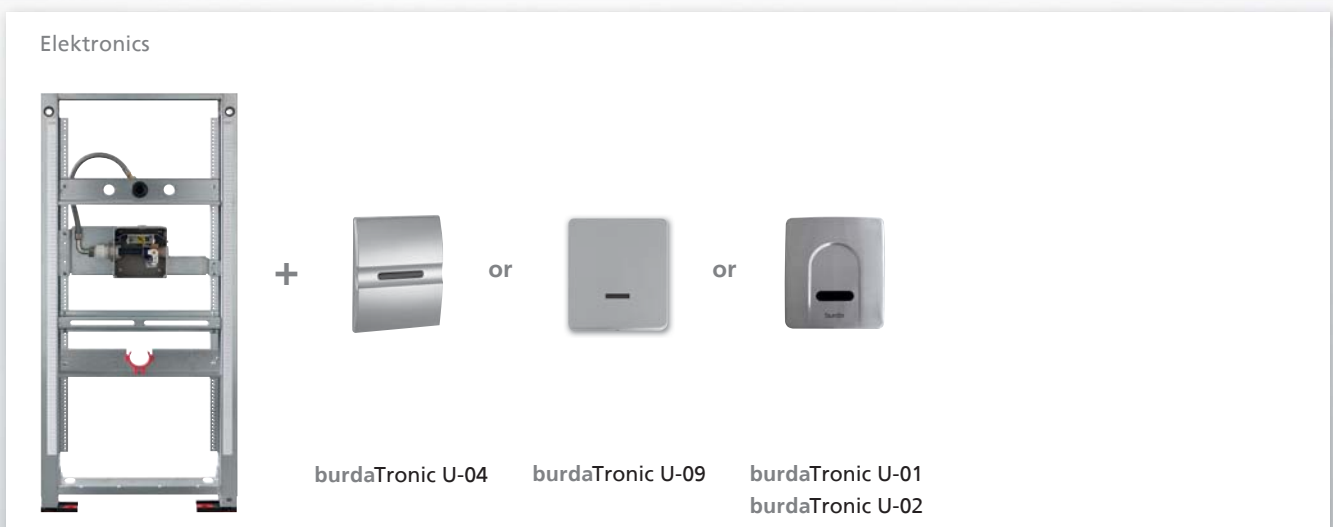
The wide range of accessories offers endless combination options

Different cisterns of renowned German brands allow the mounting of the most varied flush buttons. The best adapted solutions can be found for urinals for every requirement, both in the public or private sector.

Some examples of possible combinations for toilet



Some examples of possible combinations for urinal

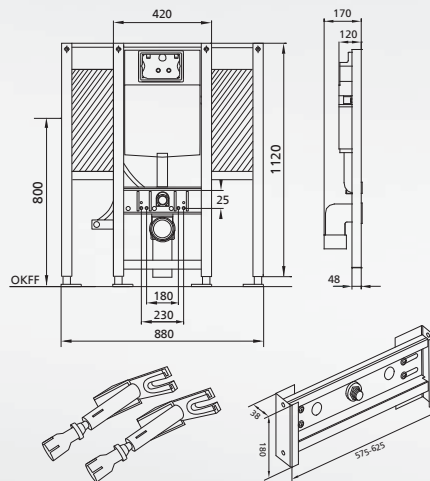


Barrier-free solutions for secure bathrooms

All requirements can be more than met by the BS+ system

In recent years the issue of accessibility has been moved increasingly into focus by the demographic trend. Not only people with disabilities but also senior citizens do not want to give up a safe, comfortable bathroom. The standards and clearances for installation in public and private premises listed below facilitate the planning.

The barrier-free toilet



Advantages

An already completely prefabricated element

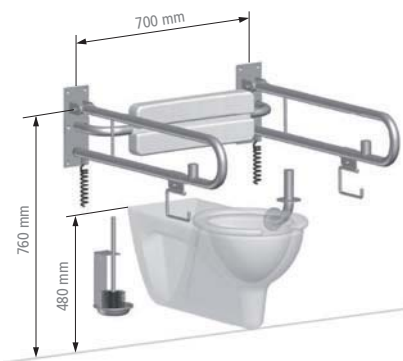
Meets all standards for barrier-free living

Meets the noise standard 4109 (SSTIII)

Comfort sound insulation

Variable choice of several cisterns, for example, Geberit, Grohe DAL...

Standards and clearances: WC



Mounting height
Top edge of seat

WC depth
Distance from leading edge/Wall

Movement surface
Front of the toilet

Lateral movement area
Next to the toilet

Lateral gap
From the toilet to the wall

Folding handles
- Mounting height
- Mounting distance
- Cistern trigger
- With paper roll holder

Back rest

DIN 18040 Public

DIN 18040 Private

DIN 18040 Private

48 cm

48 cm

individual

70 cm

70 cm

individual

Width x Depth
150 x 150 cm

Width x Depth
150 x 150 cm

Width x Depth
120 x 120 cm

Both sides 95 cm

At least 30 cm

Individual

At least 95 cm

At least 30 cm

Individual

Both sides
76 cm
70 cm
Both sides
Both sides

Individual
Individual
Individual
Individual
Individual

Individual
Individual
Individual
Individual
Individual

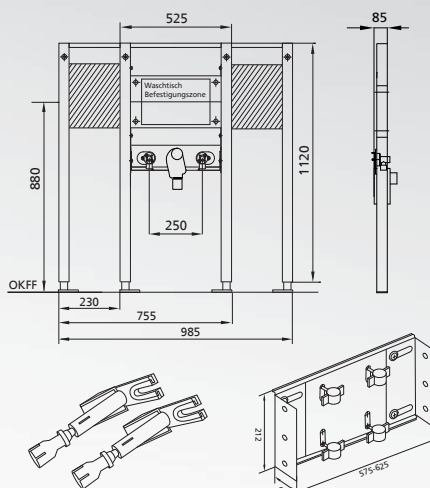
55 cm
Behind front edge of WC

Individual

Individual

* DIN 18040-1 This standard does not apply to hospitals

The barrier-free wash-stand



Advantages

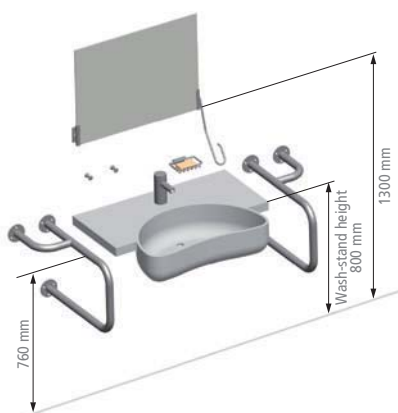
An already completely prefabricated element

Meets all standards for barrier-free living

Meets the noise standard 4109 (SSTIII)
Comfort sound insulation

Optionally available for single-hole/ or wall mixer, and various flush-mounted elements according to specification

Standards and clearances: Wash-stand



Mounting height
Top edge wash-stand

Movement surface
Front of the wash-stand

Lateral gap
From the wash-stand to the wall

Contactless single handle
Fitting with scald protection

Wheelchair access

Soap dispenser
Lateral retrieval height

Flat wall-mounted
or flush-mounted siphon

Mirror

	DIN 18040 Public	DIN 18040 Private	DIN 18040 Private
Mounting height Top edge wash-stand	80 cm	individual	individual
Movement surface Front of the wash-stand	Width x Depth 150 x 150 cm	Width x Depth 150 x 150 cm	Width x Depth 120 x 120 cm
Lateral gap From the wash-stand to the wall	At least 20 cm (preferably 30 cm)	At least 20 cm (preferably 30 cm)	At least 20 cm (preferably 30 cm)
Contactless single handle Fitting with scald protection	Required	Required	individual
Wheelchair access	Knee clearance depth of 30 cm And height of 67 cm	Knee clearance depth of 30 cm And height of 67 cm	Knee clearance depth of 30 cm And height of 67 cm
Soap dispenser Lateral retrieval height	85 - 100 cm	individual	individual
Flat wall-mounted or flush-mounted siphon	Required	Required	Required
Mirror	usable while sitting + standing Bottom edge of adjustable mirror 130 cm or continuous	individual	individual

* DIN 18040-1 This standard does not apply to hospitals

BS+

Dry construction installation system for subsequent planking

Noise regulation

BS+ covers the requirements of DIN 4109 and shows above-average values

Inadequate sound protection leads to a deterioration in the quality of home life. Your customers have a right to insist that the sound insulation standards are adhered to while redesigning the sanitation facility.

Sound-insulated with premium wall bracket for pre-wall mounting

Optional

Sound-insulated premium wall bracket for pre-wall mounting



Sound-insulated plastic inserts for the inclusion of the PE-HD elbow connector

Sound-insulated, pull-out plastic feet

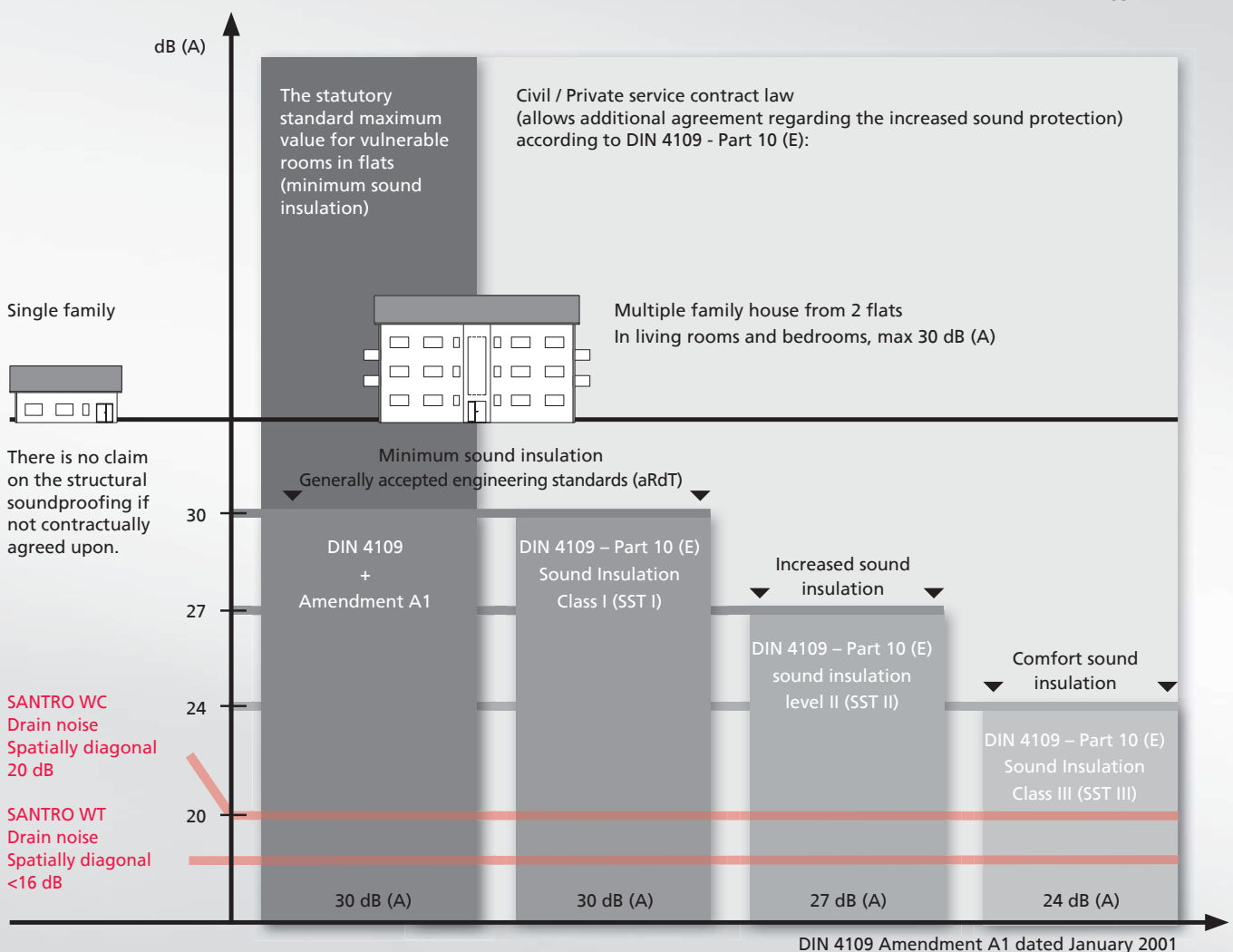


Sound insulation on BS+ elements

With burda sound-insulated premium wall bracket for pre-wall mounting, the best sound insulation values are achieved with the incorporation of BS+ elements.



Sound insulation DIN 4109



BS +

Dry construction installation system for subsequent planking

With BS + Plus you are well advised in all areas

The application areas are diverse, whether for schools and kindergartens, hospitals, nursing homes and retirement homes or correctional facilities, the suitable products are available in our assortment.

In addition, the range is completed by specially made custom articles.

Example Elements for schools and kindergartens



Example Elements for hospitals, nursing homes and retirement homes



Example Elements for correctional facilities



Some examples Special structural elements



KOMBISSET

Installation elements for brick lining





Kombiset **Installation element for brick lining**

Formation of the element frame as frame (door)

- Masonry is thereby integrated in the frame.
- This results in a force-locking connection of the whole element.
- Double safety with 4-point mounting.

All toilets
compatible with Duravit Sensowash®

Geberit flush-mounted cisterns
Compatible with Geberit AquaClean

KOMBISSET

Installation elements for brick lining

burda Kombiset

The **burda** Kombiset has been the tried and tested standardelement for quick installation and assembly of sanitary ceramics, such as wall-mounted toilets, urinal, wash-stands, and bidets since decades.

The **burda** Kombiset installation elements are available with a large selection of flush-mounted cisterns. The scope of delivery of the Kombiset includes, in addition to the pre-assembled elements with justified connectors, the complete accessories required for the structural mounting such as water connection, waste pipe and mounting hardware.

Application area

Application area of **burda** Kombiset installation elements is the collaborative-construction site, where a bricklayer is also on site.

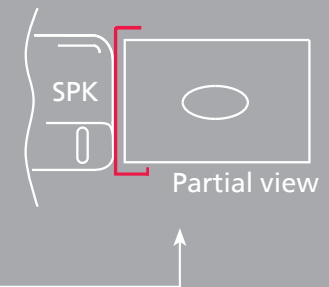
Here the installer merely does the installation of the elements on a concrete or masonry wall. The brick laying or brick lining of the elements in a front wall is then for the bricklayer..

Advantages

This installation method, where the elements are subsequently bricked up, is as simple as it is reliable.

Furthermore, installing a **burda** Kombiset requires a minimum of measuring, planning and work preparation on the part of the installer. In this type of front wall installation, the amount of work for the installer remains low overall, also because a large share of the work performances to be rendered is accounted for by other trades.

- Kombiset mounting units suitable for standard ceramic body
- Elements for brick lining for toilet, bidet, wash-stand and urinal
- With toilet ceramic fastening optionally with 180 mm or 230 mm spacing
- Drain pipe can be mounted both vertically and laterally for installation with feet
- Complete assembly unit for wall installation/front wall installation, galvanised
- Pre-assembled with GEBERIT flush-mounted cistern, flush pipe and adjusted waste pipe
- Complete with mounting, screws, dowels and wall-mounted toilet connection fitting
- Guaranteed stability through supporting bars in the mounting zone of the WC-ceramic
- Additional stability and force-locking through frame formation





WT element



WT element
Barrier-free



WC-Element
(82,5)



WC element



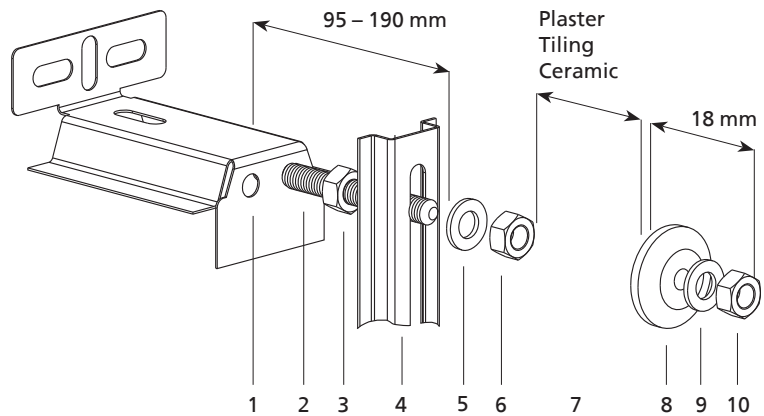
Urinal element

Installation of the mounting screws on the ceramic body

1. Note the screw spacing 180 or 230
2. Screw in threaded rods M12, adjust length 95–190 mm
3. Counter with nuts

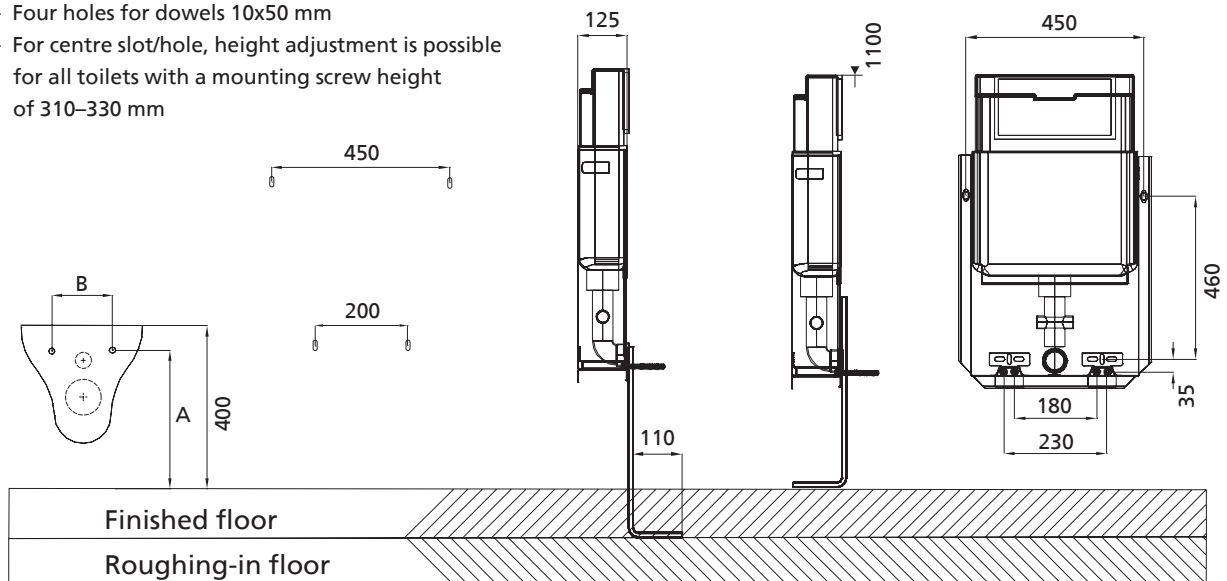
Mounting with support bars

4. Support bars
5. Washers
6. Nuts
7. Ceramic body
8. Nylon flanged sleeves
9. Washers
10. Nuts



Installation of the support bars on the Kombiset

- Four holes for dowels 10x50 mm
- For centre slot/hole, height adjustment is possible for all toilets with a mounting screw height of 310–330 mm



M-BLOCKCARE

for barrier-free facilities





M-Blockcare move for barrier-free facilities
with electric height adjustability

- Application areas: single element, stand wall installation, Front wall installation
- Barrier-free construction

optional pre-equipable for wash-WC

M-BLOCKCARE

for barrier-free facilities

Barrier-free solutions for secure bathrooms

In recent years the issue of accessibility has been moved increasingly into focus by the demographic trend. Not only people with disabilities but also senior citizens do not want to give up a safe, comfortable bathroom.

M-Block*care* *WCmove* and *WTmove* are ideal installation elements that guarantee barrier-free property, but can also be used in a multi-generation house in order to quickly adapt the different sizes respectively to the people living there.

General planning principles

- Door opens outward and is at least 90 cm wide.
- Provide enough movement space for unrestricted use (150 x 150 cm, wheelchair turning radius).
- Products such as toilet, handles or hinged support rail only on stable walls.
- Connector strips at 85 cm height.
- High contrast, colour scheme facilitating orientation (e.g. floor/wall or wall/handle).

Important:

Consideration of individual user requirements.

WC

- Height 48 cm, height adjustable solution.
- WC at least 65 cm deep (extended version) with back support when used by wheelchair user.
- Support and handles assembly provided.
- Easily accessible toilet flushing or comfortable with remote control.

Washing area and furnishing

- Shallow wash basin with at least 100 cm wheelchair accessibility.
- Built-in furniture.
- Flush-mounted or flat surface-mounted siphon.
- Fittings easy to grip and operate – Ideally, sensor controlled.

MOVE

burda
Sanitärtechnik

- for self-determined living at home
- Individual solutions for special needs
- Plan today and enjoy tomorrow as well
- Investing in the future
- Assistance in everyday life
- Flexible well into old age



M-BLOCKCARE

for barrier-free facilities

M-Blockcare WCmove

for barrier-free toilet facilities
with electric height adjustability

Suited for: Front wall

Scope of delivery

Self-supporting Dry construction element incl.:
with powdercoated steel construction.

without support handles

- with flushing cistern
- with glass dummy button, white
- with glass plate white
- with radio remote control
- with fiber-reinforced, entirely impregnated dry-wall front with all standard apertures
- WC fixing 180 mm
- Adjustability: 30 cm (electric)
- max. resilience 350 kg

with support handles

- Additionally with 2 Normbau hinged support rails, type cavere, silver-metallic (similar to RAL 9006), with integrated radio remote trigger for the flush and paper roll holder

optional

- glass plate in individual colour (RAL)
- cladding for individual installation with individual choice of colour

compatibel with Duravit Sensowash®

compatibel with Geberit AquaClean



M-Blockcare WTmove

for barrier-free wash basin facilities
with electric height adjustability

Suited for: Front wall

Scope of delivery

Self-supporting Dry construction element incl.:
with powdercoated steel construction.

without wash-stand

- with concealed siphon
- with glass plate white
- with radio remote control
- with fiber-reinforced, entirely impregnated dry-wall front with all standard apertures
- for wash-stand fixing 280 mm
- Adjustability: 30 cm (electric)

with wash-stand

- additionally with Romay Design wash stand Rovabo for single hole mixer tap, with integrated siphon, ideal for wheel chair access
- Towlrail for wash-stand Rovabo

optional

- glass plate in individual colour (RAL)
- glass plate with mirror
- cladding for individual installation with individual choice of colour





burda
Sanitärtechnik

Herbert Burda GmbH
Krefelder Strasse 87
40549 Düsseldorf
Germany

Tel. +49 211 95001-0
Fax. +49 211 500575

www.burda-online.com