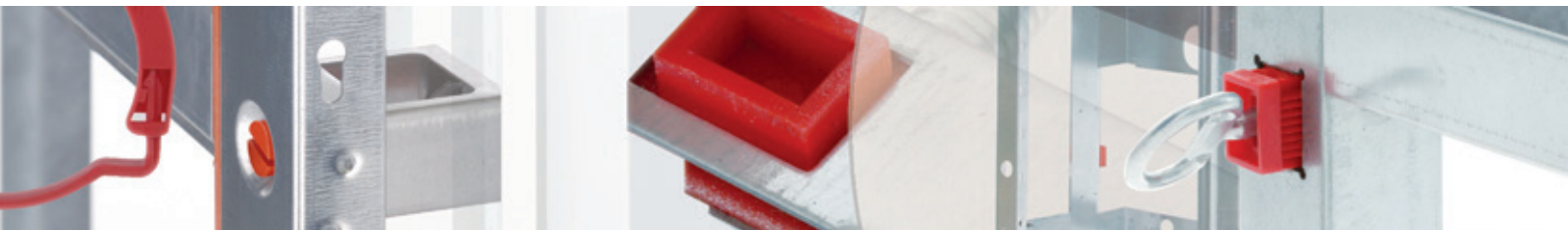


Santro - Ready planked front wall installation

**burda**  
Sanitärtechnik



## Santro

**For the fix and ready planked front wall installation**  
For the basic configuration of small and large bathrooms  
For renovation or reconfiguration

- Quick and easy installation
  - Simple planning (only one item)
  - Neat (no dirt / debris / walls)
- 
- Front wall system with planking up to 125 cm width (including all standard openings)
  - No levelling
  - Immediately tileable surface
  - Ready-planked modules
  - Fulfils all the requirements for VDI 4100
  - Increased noise protection according to DIN 4109 (complete front wall acoustically insulated)
  - Fulfils fire protection standard DIN 4102
  - More storage space made possible by built-in furniture

All toilets  
compatible with Duravit Sensowash® C

Geberit flush-mounted cisterns  
Compatible with Geberit AquaClean

# SANTRO

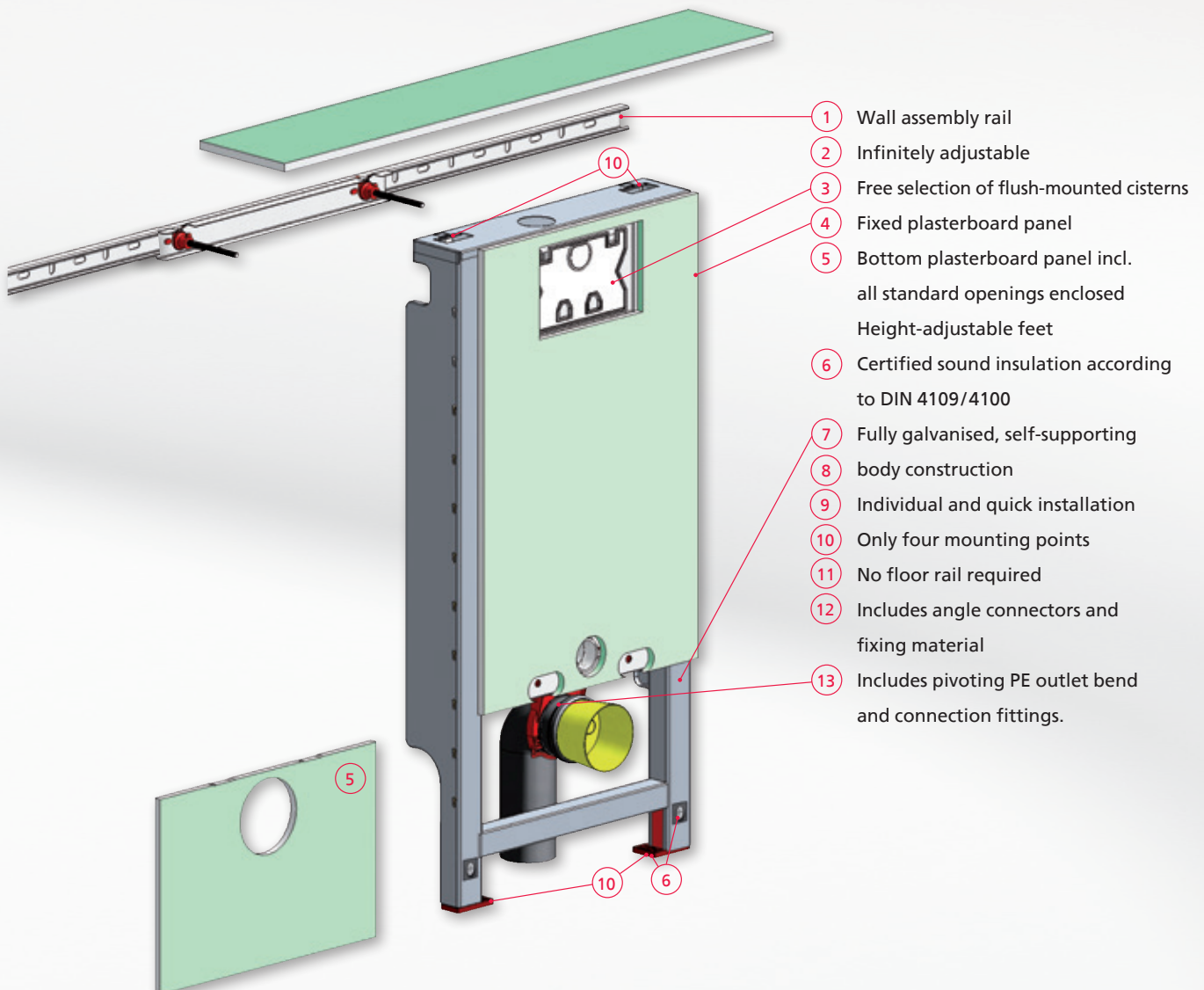
Front wall installation

## Completely drawn out from one carton

The advantages are obvious with the delivery of the SANTRO system. The system with its ready-made basic elements - modules, subcarriers, nest elements and fittings panels - is delivered with all the accessories in one box. They are all designed in such a way

that a smooth and fast installation is possible. The modules contain the sanitary fittings. They consist of a self-supporting, galvanised, torsionally rigid and soundproof steel body.

## Point by point: The advantages of the SANTRO System



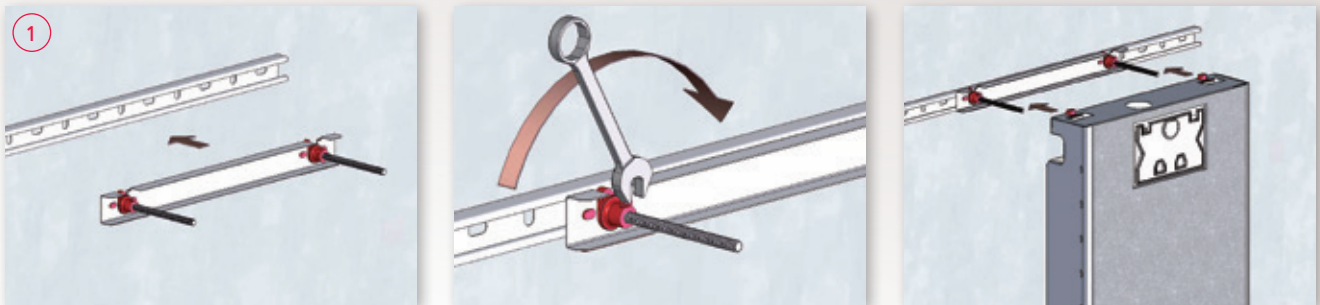
## Prefabricated parts to save time

It is clear from the assembly instructions seen below, how quickly you can reach your goal with the prefabricated parts of SANTRO. The work made easy for you and your customers.

Quick fasteners and the supplied tool will not only speed up, but also facilitate the work processes during installation.

## Easy, quick installation

Fit suspension rail using guide bolt and size 17 open-ended spanner. Thereafter move the module using the threaded rods.



Align the distance of the module from the wall and fix it with quick release.



For infinite height adjustment loosen screw using a ratchet spanner.



# SANTRO

Front wall installation

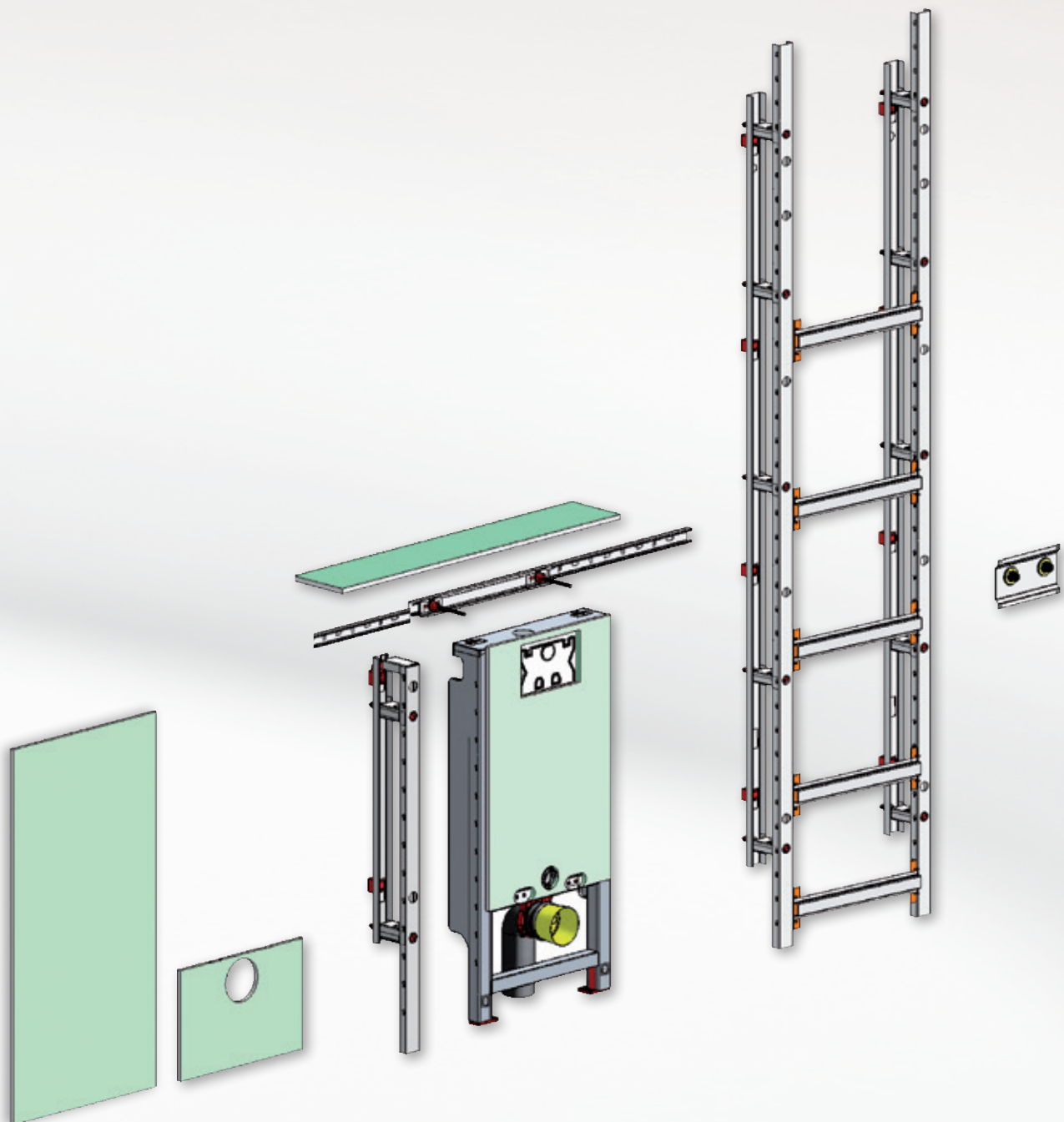
With SANTRO you save time and reduce costs and dirt-intensive construction works.

With SANTRO, standard bathrooms can be transformed into custom bathrooms with little effort. The options are designed to provide versatility and individuality. The new bathroom design is implemented within just a few working days.

SANTRO naturally complies with the requirements of VDI 4100, the noise standard DIN 4109 and the fire protection standard DIN 4102. A further advantage is the clear guarantee.

Each trade comes only once to the work site. This is as simple and user-oriented as it gets.

In contrast to the traditional wet expansion method with the cumbersome and time-consuming slot installation and the associated rebricking, the burda system appeals with less dirt, sound and debris. The downtimes of sanitary facilities are kept to a minimum.





With the SANTRO module system, you can always score points with your customers.

Whether toilet, urinal or wash-stand, the industrially prefabricated Santro module system planked with a tile-finish surface made of plasterboard, is always the right choice at work sites where dry construction is not an option. In addition, the product line includes all relevant items for barrier-free building. Here too, a wide range of products, e.g. with urinal electronics,

water meters and even a separate bathroom furniture range for wall installation are available to the installers and planners. For all burda Santro modules, the installer can freely choose between cisterns or flush-mounted objects of different brands and even determine the connection type that should be delivered with the element.

### Plus points of our toilet modules:

- Free selection of flush-mounted cisterns, inter alia, Geberit, Grohe and so on.
- Special modules for the disabled and public areas in our product range
- Height adjustable feet
- Certified sound insulation according to DIN 4109/4100
- A single-layer covering with 12.5 firecheck plasterboard structural panels
- Already pre-assembled plasterboard panel
- Lower plasterboard panel including all standard openings enclosed



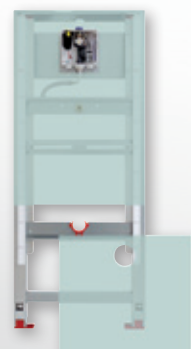
### Plus points for our wash-stand modules:

- Universal wash-stand fixing area
- Sound-insulated, pre-assembled wall plates
- Special modules for the disabled and public areas in our product range
- Height adjustable feet
- Certified sound insulation according to DIN 4109/4100
- A single-layer covering with 12.5 firecheck plasterboard structural panels
- Already pre-assembled plasterboard panel
- Lower plasterboard panel including all standard openings enclosed



### Plus points of our urinal modules:

- Different versions can be selected: e.g. flush valve, infra-red and siphon control
- Height adjustable feet
- Certified sound insulation according to DIN 4109/4100
- A single-layer covering with 12.5 firecheck plasterboard structural panels
- Already pre-assembled plasterboard panel
- Lower plasterboard panel including all standard openings enclosed
- With suction siphon and connection set



# SANTRO

Front wall installation

With SANTRO bathroom planning is made easy and a rapid implementation is guaranteed

The module system of SANTRO facilitates the work of planners by an intuitive modular system that adapts easily to different spatial situations.

The overview shown below helps to calculate the material needs quickly and avoid unnecessary delays.

## The 4 basic elements of SANTRO

### Module

1



**Modules** are suitable for fitting the ceramic sanitary body of toilet, wash-stand, bidet and urinal. They consist of a self-supporting, galvanised steel body and contains all connections and flushing devices. All the necessary standard openings and boreholes are included in the supplied GKFI fire-check panel.

### Subcarrier

2



With **subcarriers**, the front to be designed and the storage surfaces can be extended individually as you desire. They are required for fitting the remaining planking at the beginning and end of the extension line, for individual extension along the bathtub, or to cover supply lines as well as to stabilise, when the distance between two modules is more than 600 mm.

### Nest elements

3



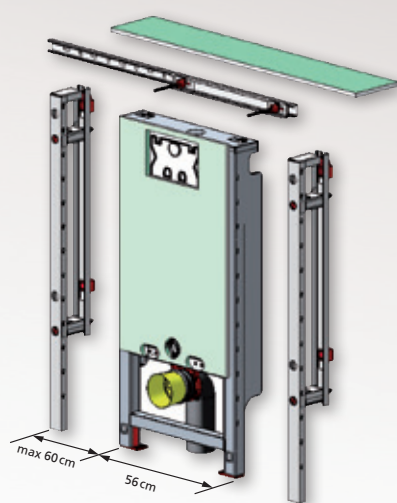
The **nest element** comprises two side panels and two spacer rails, each 3 metres in length. The side panels are cut to room height. The width of the nest element can be freely determined by cutting the spacer rails to length. The nest element is used to fit supply pipes and fittings panels for shower or tub, but can also be used for the visual design of the bathroom.

### Fittings panels

4



The **fittings panels** – to fit flush-mounted and surface-mounted fixtures – are mounted with spacer rails in the area of the nest element or the subcarrier. All wall plates are acoustically insulated. They are included in the delivery.



### Material requirement for the front wall installation of **SANTRO**

SANTRO selection table, installation height 108 cm

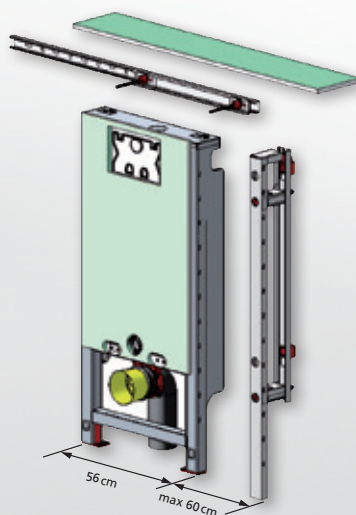
Num. Module	Front wall width up to 108 cm	up to 160 cm	up to 220 cm	up to 280 cm	up to 340 cm
0	3 subcarrier 3 panels	4 subcarrier 4 panels	5 subcarrier 5 panels	6 subcarrier 6 panels	7 subcarrier 7 panels
1	2 subcarrier 1 panels	2 subcarrier 3 panels	3 subcarrier 3 panels	4 subcarrier 4 panels	5 subcarrier 5 panels
2		2 subcarrier 2 panels	2 subcarrier 3 panels	2 subcarrier 3 panels	4 subcarrier 4 panels
3			2 subcarrier 2 panels	2 subcarrier 3 panels	2 subcarrier 3 panels



### Material requirement for the front wall installation of **SANTRO** with nest element for pipelines, shower or bathtub

SANTRO selection table

Num. Module	Front wall width up to 120-260 cm	up to 220-360 cm
1	2 subcarrier 1 nest element 7 panels	3 subcarrier 1 nest element 8 panels
2		2 subcarrier 1 nest element 8 panels



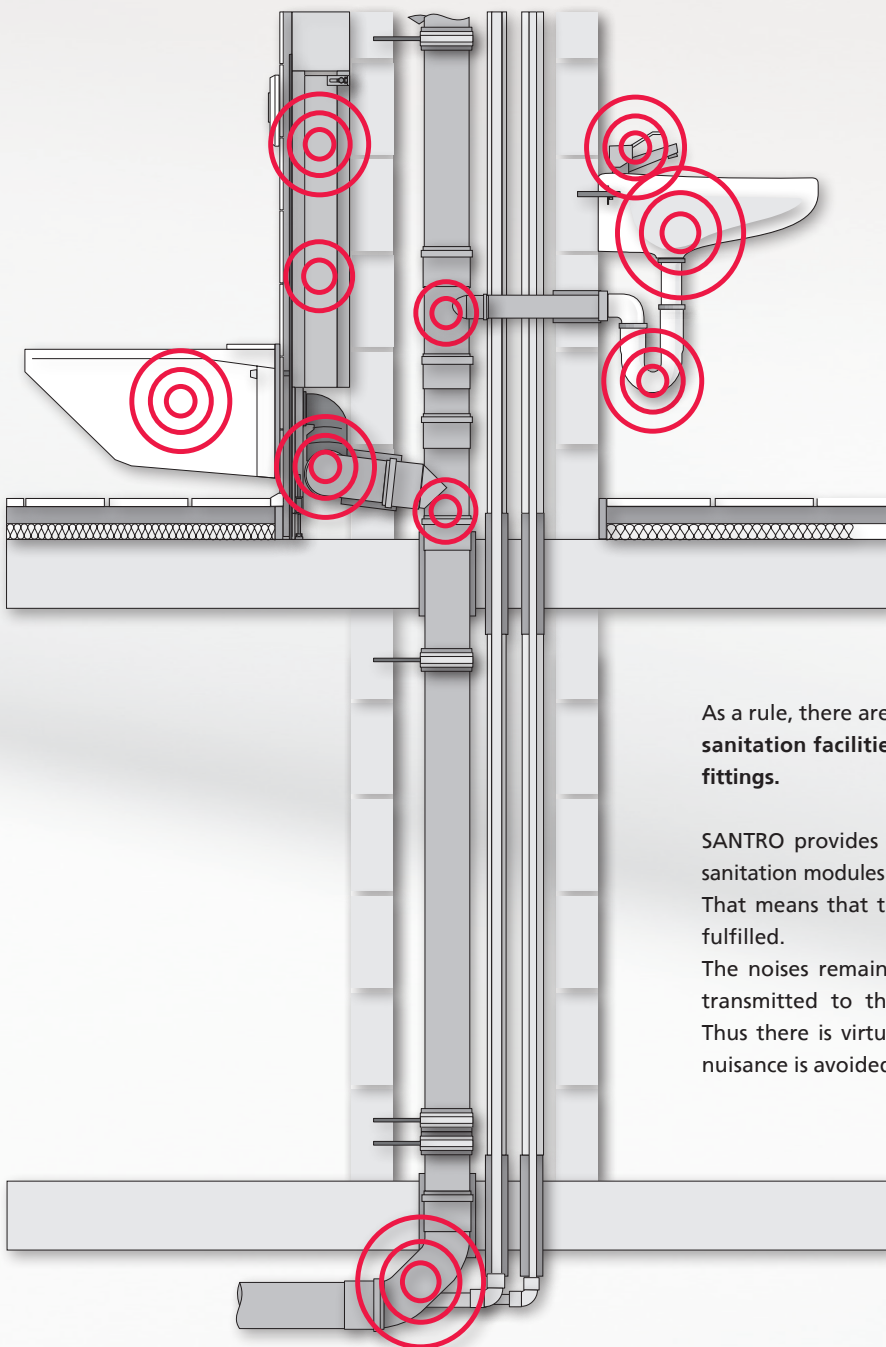
# SANTRO

Front wall installation

With SANTRO, the sound protection requirements are met.

SANTRO front wall installations meet the requirements of DIN 4109. Appropriate measures against noise pollution get more and more importance particularly in residential construction. Therefore the subject of soundproofing is becoming increasingly important. For your customers, it goes without saying

that the stipulated standards are met in the redesigning. Because noise at home disturb the neighbours as well to a significant degree. For them, the noise is perceived as a disturbance of the peace. Lack of sound insulation leads to the deterioration of quality of life and housing.



Sound insulation  
DIN 4109

As a rule, there are three main causes for a possible noise level: **sanitation facilities, water and sewage pipes and sanitation fittings.**

SANTRO provides high quality sound insulation. Thus all the sanitation modules are equipped with sound-insulated elements. That means that the requirements according to DIN 4109 are fulfilled.

The noises remain in the front wall installation and are not transmitted to the rear wall or to the building structure; Thus there is virtually no structure-borne noise. Thus, a noise nuisance is avoided in the adjoining rooms.



## With SANTRO the regulations and directives are met.

The DIN 4109 has been introduced by the building authorities. This makes it applicable building law and covers the field of public law. An increased noise protection can also be agreed upon contractually according to Supplement 2 of DIN 4109. That would then be a civil agreement.

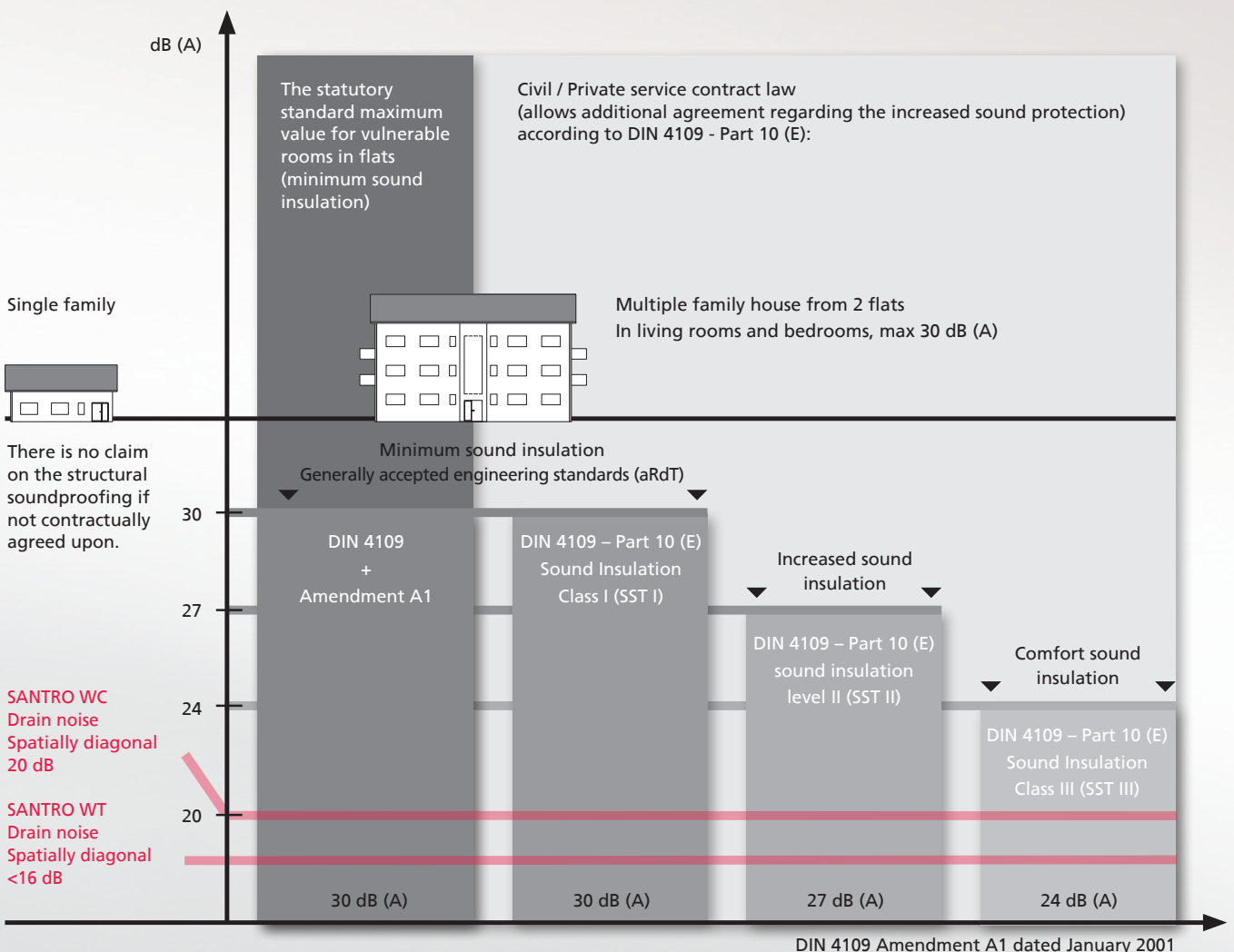
The requirements of DIN 4109 have been clarified and strengthened by court decisions. Lower noise levels are required on the grounds that it is just a minimum requirement according to DIN 4109.

Increased noise protection must always be complied with even if the builder offers flats in the luxury or comfort class or speaks of upgraded amenities.

In this case a detailed tender document is required. The same applies if the flat is in a quiet area. Noise from building installations must not exceed the background noise level of more than 10 dB (A) in Western countries, because otherwise the noise can have a disturbing effect.

The sound insulation in sanitary installations is thus achieved by general measures. For example, by:

- Floor plans favourable to building acoustics
- Coordination of all parties involved in construction
- Use of heavy installation walls
- Acoustically favourable structural designs by using front wall installations
- Fitting pipes so they are insulated from structure-borne noise



# SANTRO

Front wall installation

SANTRO offers comprehensive assurance through certificates and standards.

No doubt you are familiar with the problem from your day to day work. According to DIN 1053 (brickwork), breaking and slotting work in supporting walls can only be carried out to a limited extent. Without statistical evidence, only bricked or milled slots are allowed:

The SANTRO front wall installation is so practically designed that these restrictions are ignored. As all modules belonging to the

SANTRO system are constructed so sturdily, they are supplied from the factory with a 12.5 mm thick firecheck plasterboard panel (plasterboard, core- the top panel is fitted at the factory, whereas the bottom one is supplied loose and comes with all the necessary apertures. Another benefit: The joints do not need filling. This saves your time and money. A double covering is not necessary.

**The guidelines issued by BAKT Infotechnik, the German research group for dry construction, envisages a covering as follows:**

"The covering of the walls and facing formwork generally consists of a double layer of plasterboard panels (2 x 12.5 mm) or one layer with a thickness of at least 20 mm. In these cases, the usual gaps between beams on the substructure (625 mm as a rule) can be maintained. In the case of single covering made of plasterboard panels with a thickness of less than 20 mm, however, the gap between beams should be reduced to 500 mm

and less in view of the ceramic cladding being attached later."

**When using plasterboard panels (GKFI with a thickness of 12.5 mm, as used with SANTRO, a maximum beam distance of 50 x s (s = panel thickness) should be maintained.**

**This makes your work considerably easier.** A single-layer covering with 12.5 firecheck plasterboard structural panels is adequate to insert a SANTRO subcarrier or a new module every 625 mm along the length of the front wall installation.

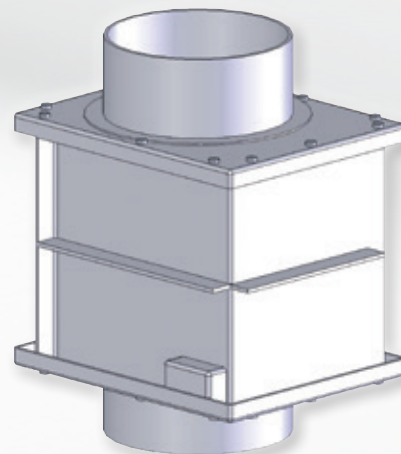
Wall thickness	Vertical slots Built		Milled		Horizontal and slanted slots	
	Depth	Width	Depth	Width	Depth	Height
1.5	-	-	1.0	10.0	-	-
17.5	6.0	26.0	2.0	10.0	-	not
24.0	12.5	38.5	3.0	15.0	1.5	limited
30.0	12.5	38.5	3.0	20.0	2.0	-
36.5	12.5	38.5	3.0	20.0	2.0	-

## Fire protection. Front wall installation and F90 requirement.

F90 with fire dampers. When F90 is specified and supply and waste lines made of flammable materials need to be fed through ceilings and floors, the F90 requirement is complied with most cost-effectively by using fire dampers. This replaces the need for costly claddings made of Ridurit or expensive fire protection elements.



Fire protection  
DIN 4102



## SANTRO meets all the requirements of barrier-free living.

SANTRO fulfils all claims even in this area. Whether wheelchair accessible construction in the private or public area - SANTRO meets the standards in wash-stand and toilet and allows rapid installation.

By the appropriate attachment set for arm lever, facilities for the disabled is easily possible in the bathroom. The DIN 18025 standard listed in excerpts below can be very easily and comprehensively implemented.

### Wheelchair access »private«

**Toilet:** The seat height of the toilet bowl, including seat must be 48 cm. If necessary, a height adjustment must be made.

A movement area must be at least 95 cm wide and 70 cm deep on the left or right side of the toilet bowl. On one side of the toilet bowl, a distance of at least 30 cm must be maintained to the wall or to installations.

**Wash-stand** The wash-stand must be flat and accessible by wheelchair ; a flush-mounted or surface-mounted flat siphon must be provided.

The wash-stand must be fitted in the appropriate height for the needs of the user.

Sanitary fittings are to be provided as single-lever mixer taps with temperature limiter and pivoting spout.

The movement area in front of facilities in the sanitation room must be at least 150 cm wide and 150 cm deep. Movement areas can overlap.

### »Accessible to the public«

**Toilet:** The seat height of the toilet bowl, including seat should be 48 cm.

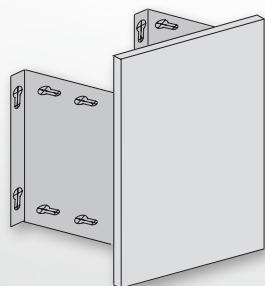
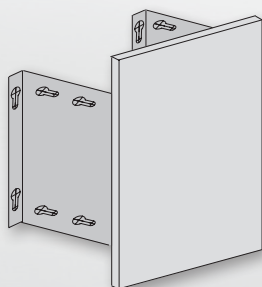
Movement areas of at least 95 cm width and 70 cm depth must be provided to the left and right of the toilet bowls.

Foldable handles that protrude 15 cm above the front edge of the basin should be installed on each side of the toilet bowl, which lock automatically in the horizontal and vertical positions. The distance between the folding handles must be 70 cm, its height, 85 cm.

**Wash-stand** The wash-stand must be fully accessible by wheelchair ; a flush-mounted or surface-mounted flat siphon must be provided. The upper edge of the washstand must be mounted at a maximum height of 80 cm. A knee clearance of 30 cm depth and at least 67 cm height must be provided.

In front of the washstand at least a movement area of 150 cm depth and 150 cm width must be provided.

(Extract from DIN 18025 standard)



SANTRO attachment set  
for arm lever

### »Accessible to all«

The wash-stand must be fully accessible by wheelchair ; a flush-mounted or surface-mounted flat siphon must be provided.

The movement area in front of facilities in the sanitary room must be at least 120 cm wide and 120 cm deep. Movement areas can overlap.



**burda**  
Sanitärtechnik

Herbert Burda GmbH  
Krefelder Straße 87  
40549 Düsseldorf

Tel. +49 211 95001-0  
Fax. +49 211 500575

[www.burda-online.com](http://www.burda-online.com)